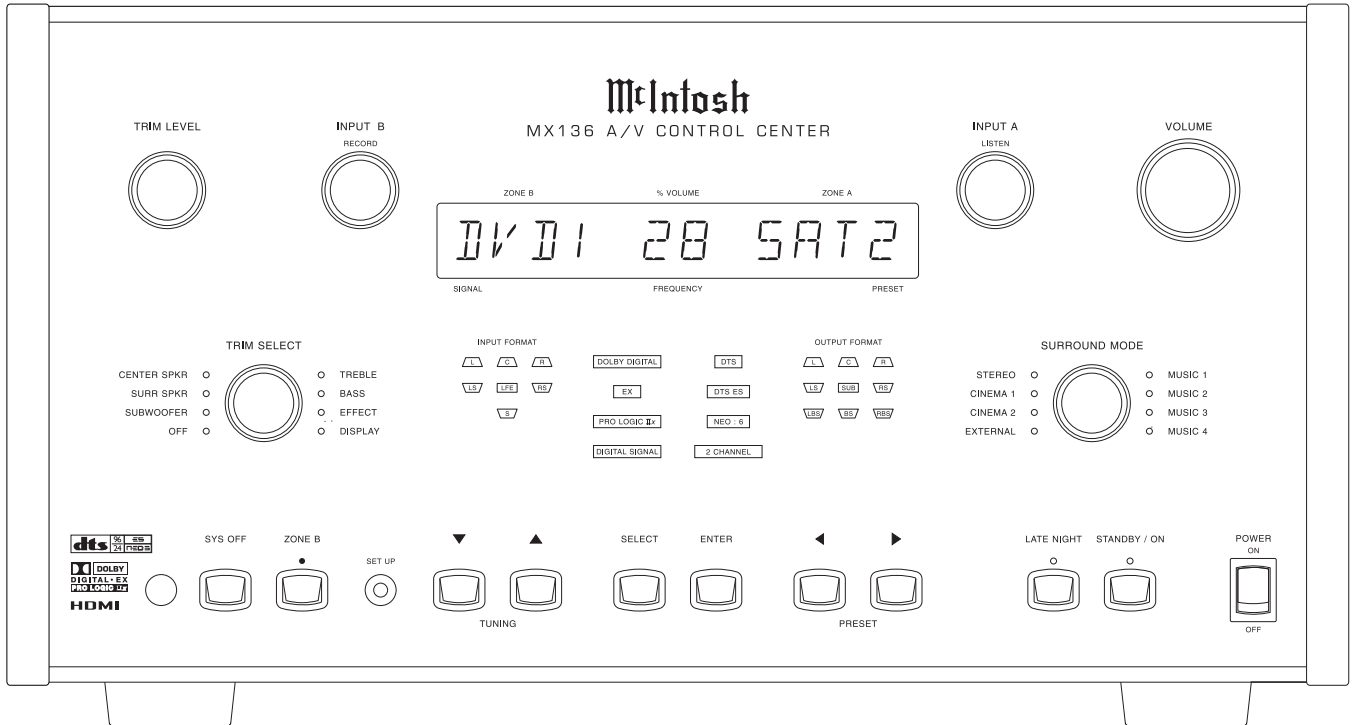




MX136

A/V CONTROL CENTER

SERIAL NO. XM1001 And Above



CONTENTS

Performance Specifications	2 - 3	Video Schematic and PCB	48 - 50
Notes	3	Input Schematic and PCB	51 - 56
Rear Panel	3	Component Video Schematic and PCB	57 - 60
Section Location	4	Tuner AM/FM Alignment Procedure	61 - 62
Block Diagram	5 - 8	Tuner/RAA1 Schematic and PCB	63 - 66
Interconnection Diagram	9 - 11	Balanced Schematic and PCB	67 - 70
Display Schematic and PCB	12 - 19	HDMI Module	71
Surround Schematic and PCB	19 - 34	HDMI Power Supply	72
Data Schematic and PCB	37 - 41	Parts List	73 - 90
S-Video Schematic and PCB	42 - 47	Exploded Views and Parts Lists	91 - 94

SERVICE MANUAL

Serial Number XM1001 And Above

PERFORMANCE SPECIFICATIONS

Audio Specifications

Frequency Response

Left, Center, Right,
Left Surround,
Right Surround,
Left Back, Right Back:
±0.5dB from 20Hz-20,000Hz

Subwoofer¹:

±0.5dB from 20Hz-140Hz

Total Harmonic Distortion

0.005% maximum from 20Hz to 20,000Hz at rated output

Signal To Noise Ratio

Phono: 86dB below 10mV input (A Weighted)
High Level: 96dB below rated output (A Weighted)

Rated Output Voltage

2.5V Unbalanced Outputs (Main)
5.0V Balanced Outputs (Main)

Maximum Voltage Output

9.5V Unbalanced
19V Balanced

Output Impedance

100 ohms Unbalanced
200 ohms Balanced

Input Impedance

Phono: 47k Ohms, 65pf
High Level: 22k Ohms Unbalanced
50k Ohms Balanced

Sensitivity for Rated Output

Phono: 5mV
High Level: 500mV Unbalanced
1V Balanced

Maximum Input Signal

Phono: 50mV
High Level: 5V Unbalanced
10V Balanced

Voltage Gain

Phono to Tape/VCR Out: 40dB
Phono to Output (Main): 54dB
High Level to Tape/VCR Out: 0dB
High Level to Output (Main): 14dB

Tone Controls

Bass Control: ±12dB at 30Hz
Treble Control: ±12dB at 10,000Hz

General Specifications

Power Requirements

100 Volts, 50/60Hz at 65 watts
110 Volts, 50/60Hz at 65 watts
120 Volts, 50/60Hz at 65 watts
220 Volts, 50/60Hz at 65 watts
230 Volts, 50/60Hz at 65 watts
240 Volts, 50/60Hz at 65 watts

Note: Refer to the rear panel of the MX136 for the correct voltage.

Overall Dimensions

Width is 17-3/4 inches (45.09cm)
Height is 9-7/16 inches (23.97cm) including feet
Depth is 18-3/4 inches (47.63cm) including the Front Panel and Knobs

Weight

31 pounds (14.06Kg) net, 55 pounds (24.95Kg) shipping

Shipping Carton Dimensions

Width is 25 inches (63.5cm)
Depth is 28 inches (71.12cm)
Height is 18-3/8 inches (46.67cm)

FM Tuner Specifications

Useable Sensitivity

14dBf which is 1.4uV across 75 ohms

50dB Quieting Sensitivity

Mono: 19dBf which is 2.4uV across 75 ohms
Stereo: 35dBf which is 15uV across 75 ohms

Signal To Noise Ratio

Mono: 75dB
Stereo: 70dB

Frequency Response

Mono: +0, -1dB from 20 to 15,000Hz
Stereo: +0, -1dB from 20 to 15,000Hz

Harmonic Distortion

Mono: 0.3% at 100Hz
0.3% at 1,000Hz
0.3% at 10,000Hz
Stereo: 0.45% at 100Hz
0.45% at 1,000Hz
0.65% at 10,000Hz

Intermodulation Distortion

Mono 0.25%
Stereo 0.45%

PERFORMANCE SPECIFICATIONS *con't*

Capture Ratio

1.2dB

Alternate Channel Selectivity

75dB

Spurious Response

100dB

Image Response

75dB

RF Intermodulation

65dB

Stereo Separation

45dB at 100Hz

45dB at 1,000Hz

35dB at 10,000Hz

SCA Rejection

65dB

AM Tuner Specifications

Sensitivity

20uV External Antenna Input

Signal To Noise Ratio

48dB at 30% modulation

58dB at 100% modulation

Harmonic Distortion

0.5% maximum at 50% modulation

Frequency Response

50Hz to 6kHz NRSC

Adjacent Channel Selectivity

45dB minimum IHF


Image Rejection

65dB minimum from 540 to 1600kHz

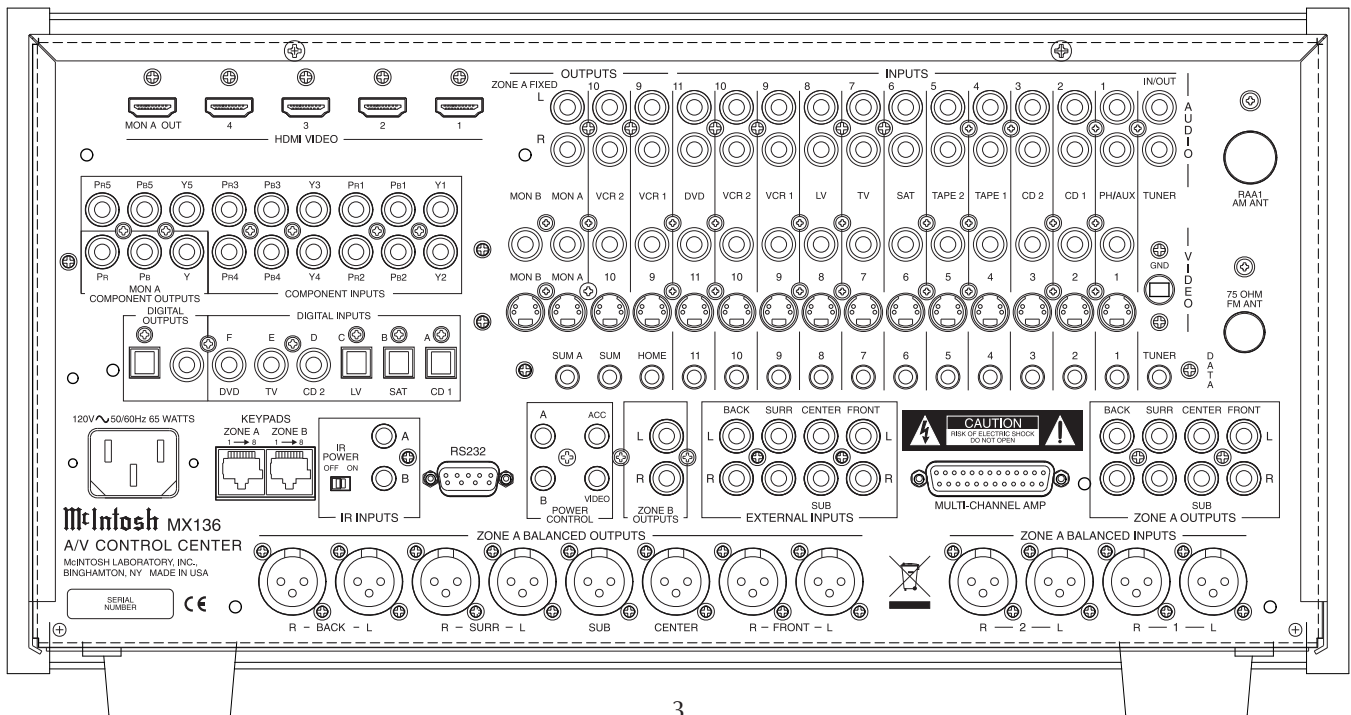
IF Rejection

80dB minimum

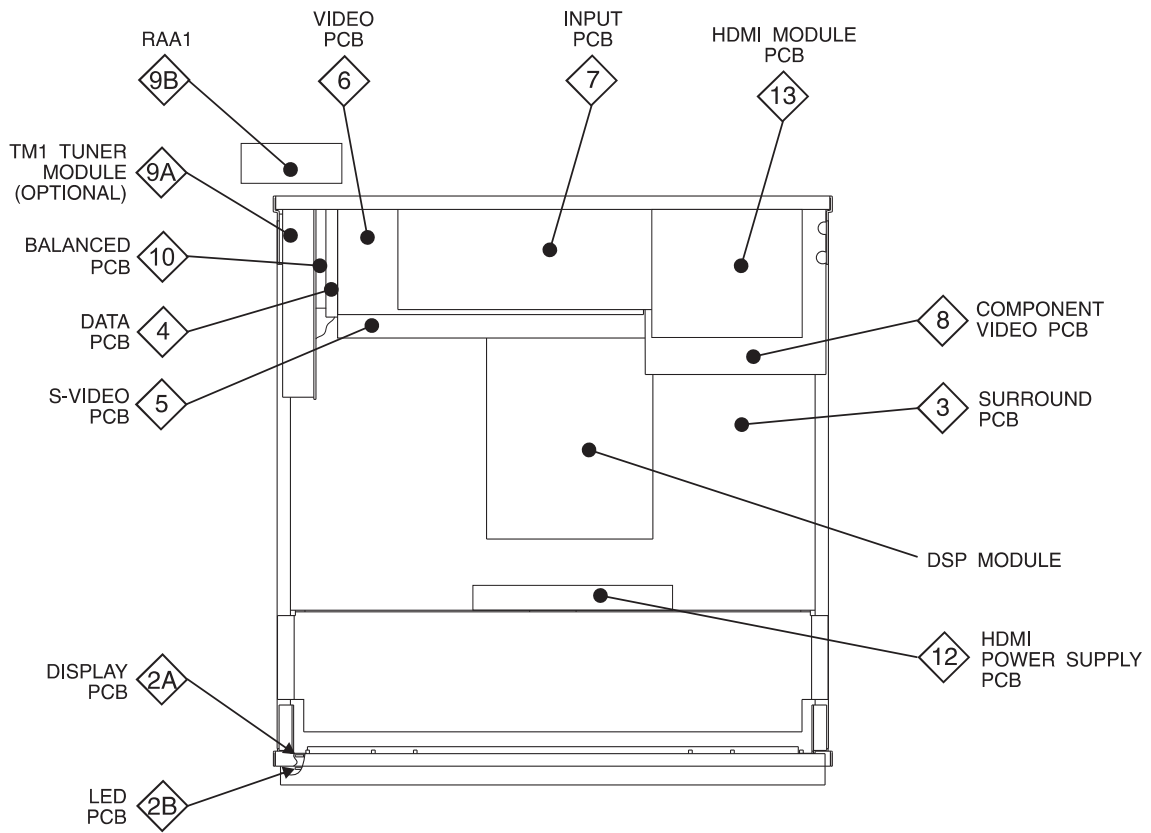
NOTES

1. The heavy lines on the schematic denote the primary signal path.
2. Unless otherwise noted, all voltages indicated on the schematics are measured under the following conditions:
 - a. AC input at 120 volts, 50/60Hz.
 - b. All voltages are +/-10% with respect to ground. A high impedance (10 megaohm) voltmeter must be used.
3. On PC board drawings, Square pad indicates:
 - a. Polarized Capacitors - Positive
 - b. Diodes - Cathode
 - c. Others - Pin 1
4. **WARNING**
Parts marked with the symbol  have critical characteristics. Use only replacement parts recommended by the manufacturer.

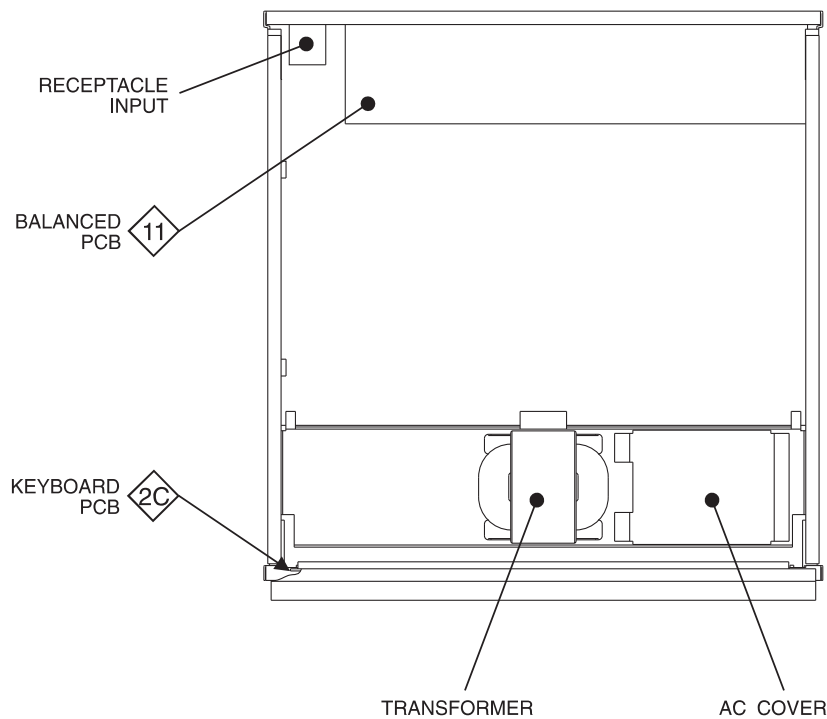
REAR PANEL



SECTION LOCATIONS



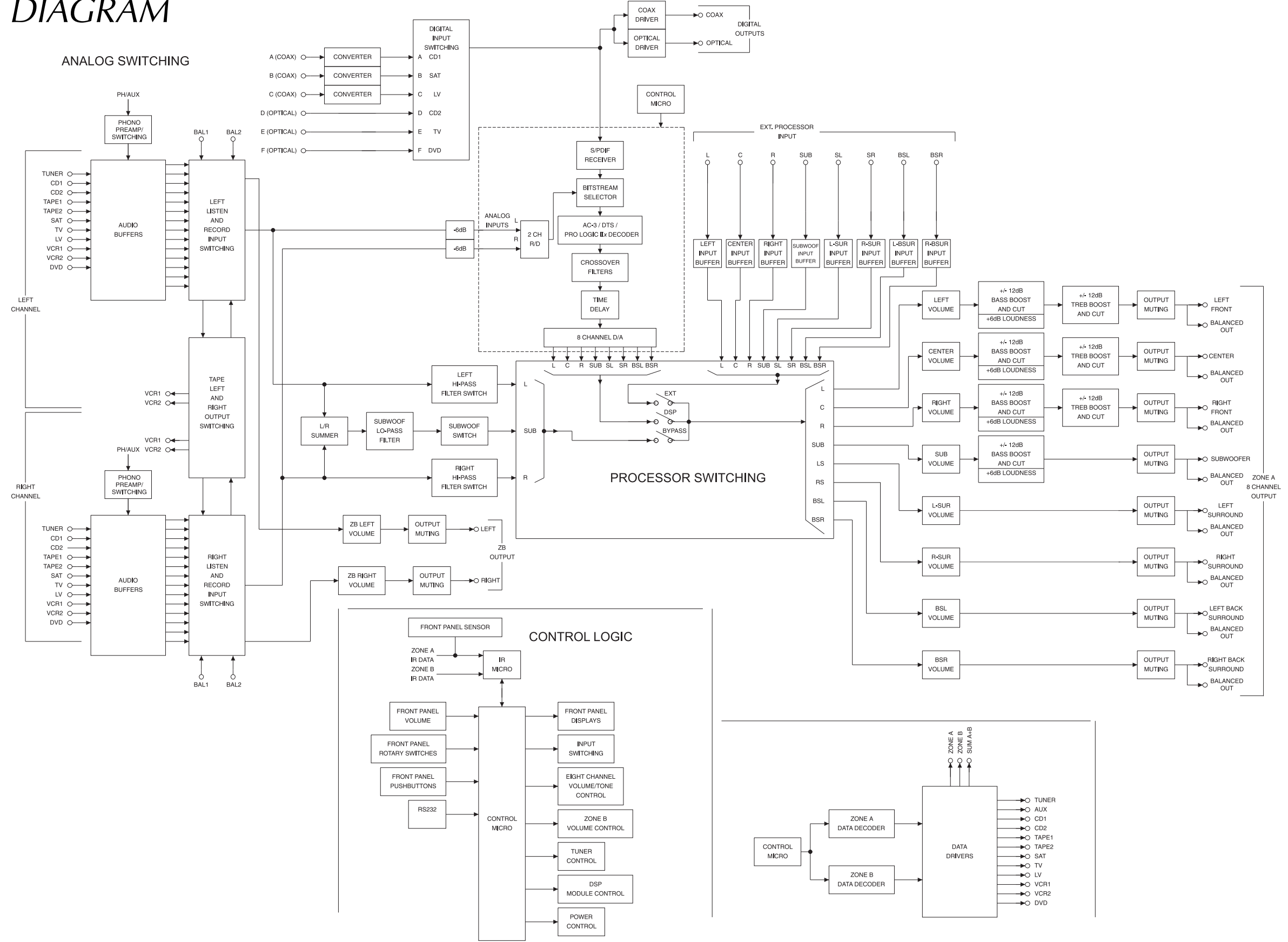
TOP VIEW WITH COVER REMOVED



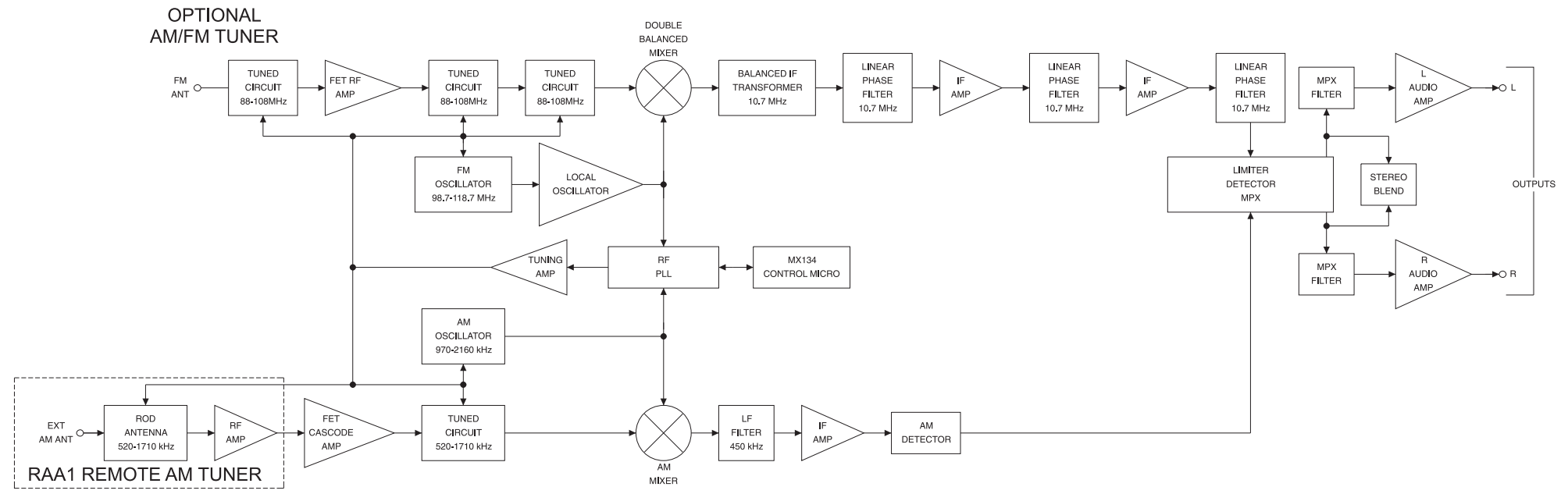
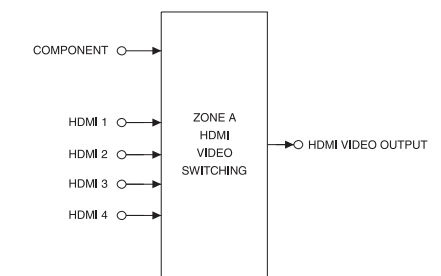
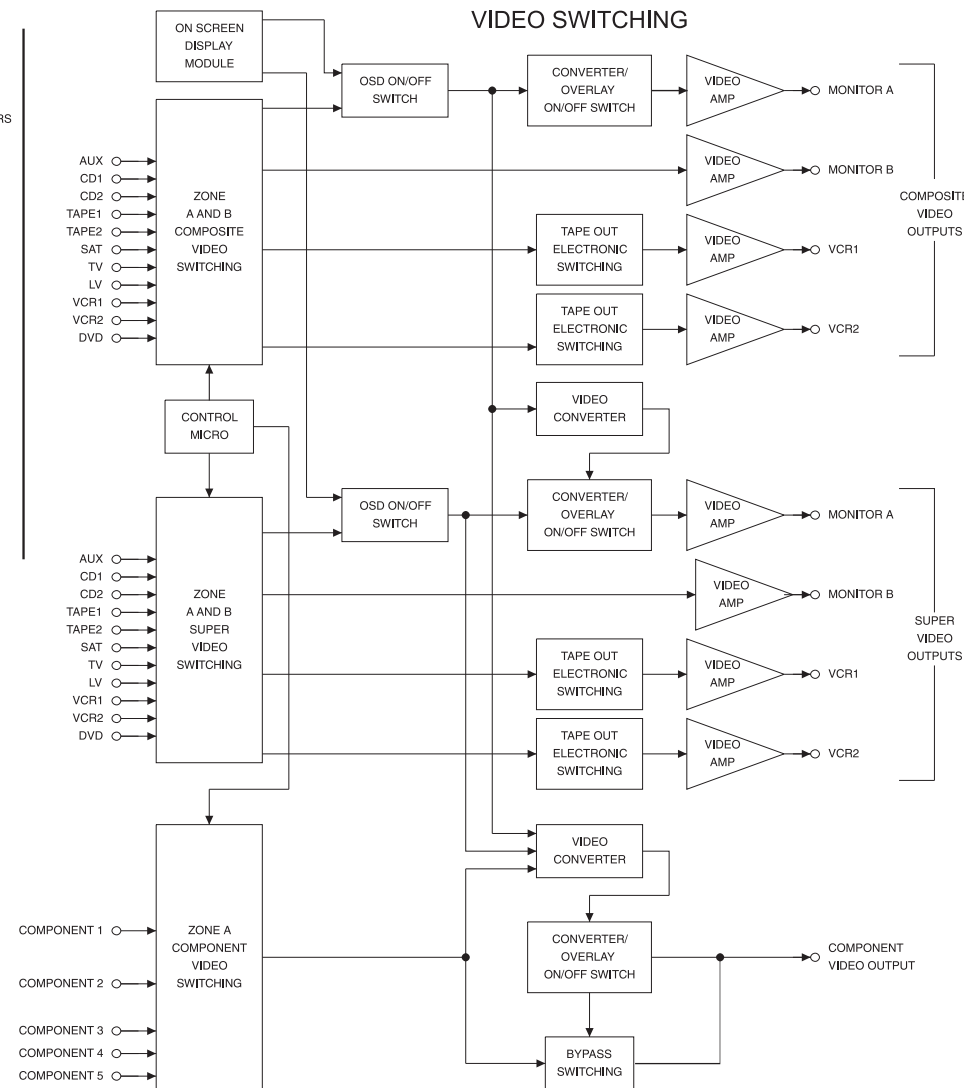
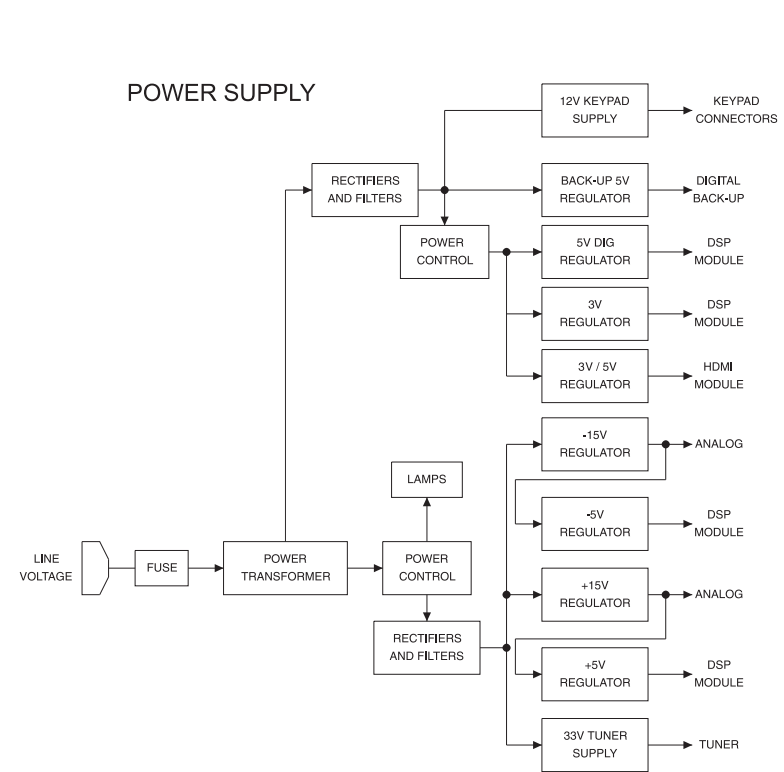
BOTTOM VIEW WITH COVER REMOVED

BLOCK DIAGRAM

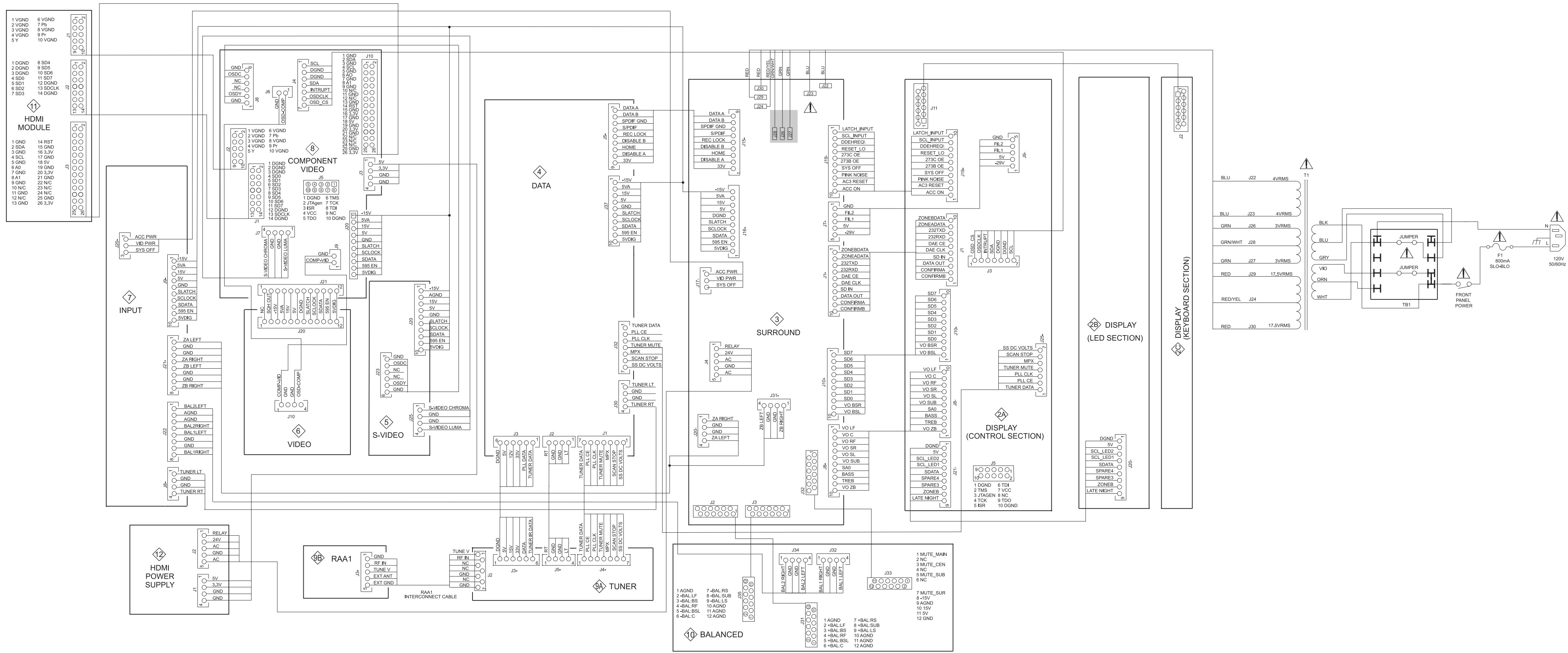
MX136

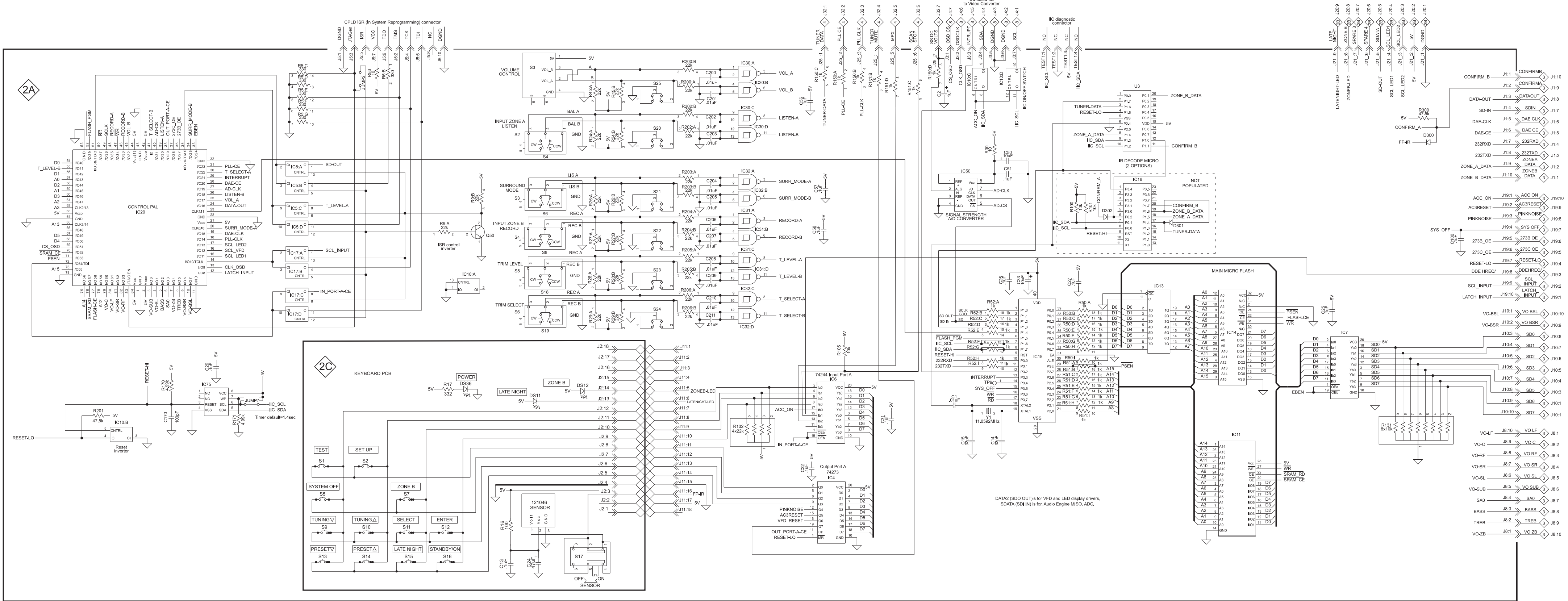


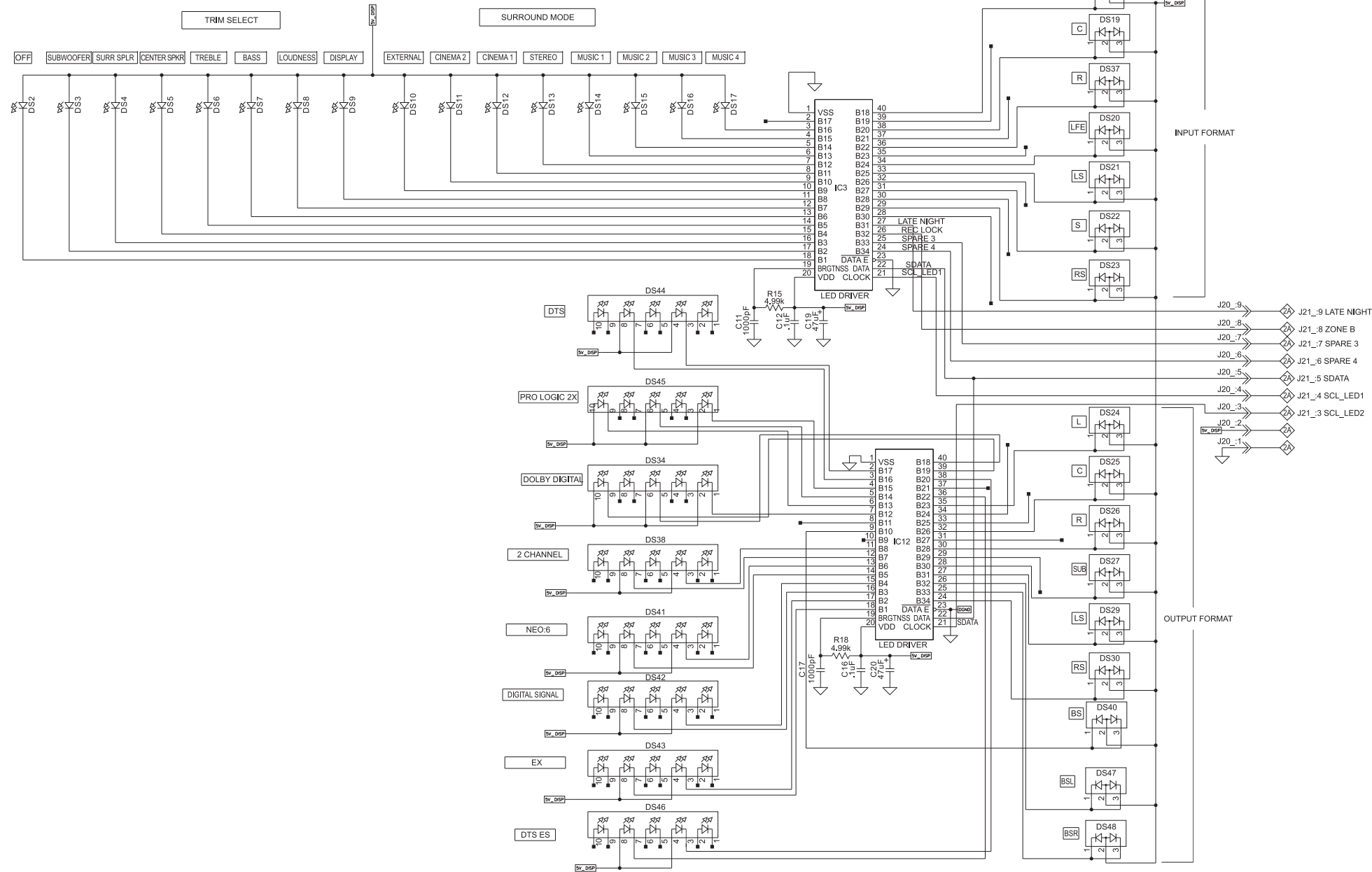
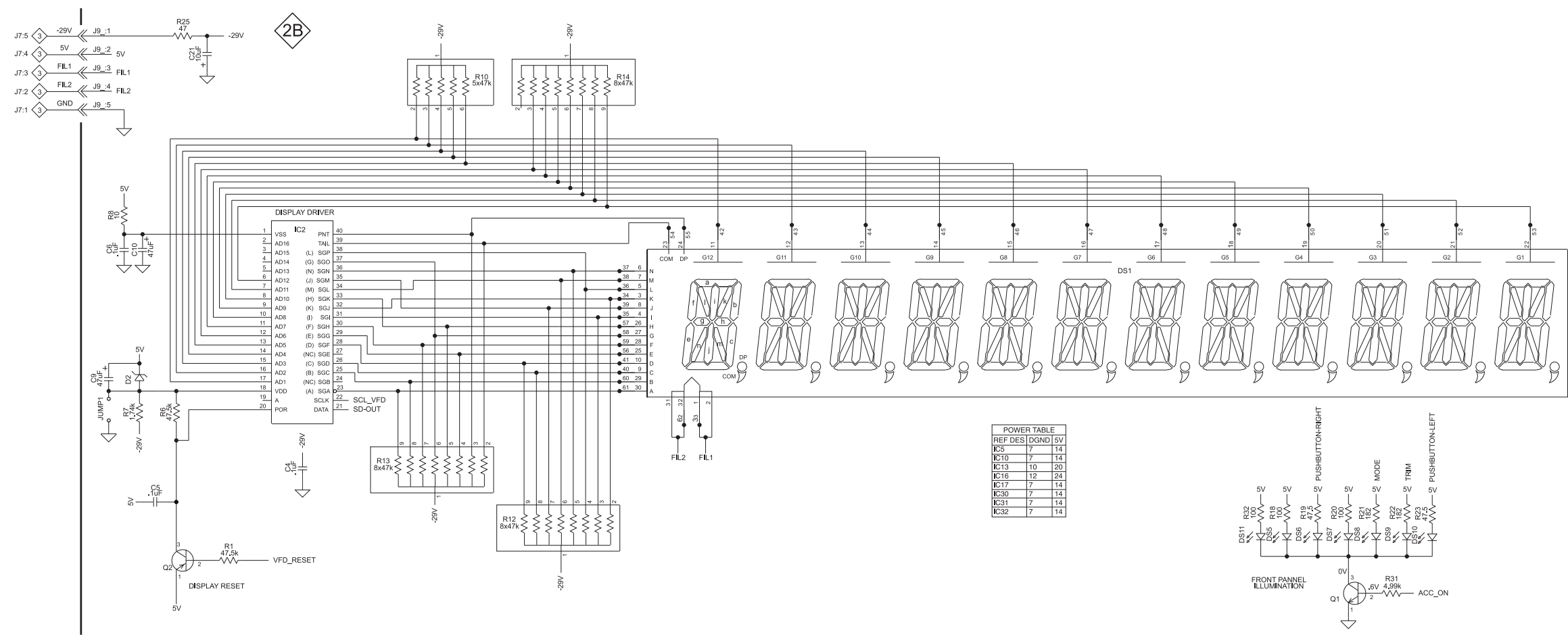
BLOCK DIAGRAM con't



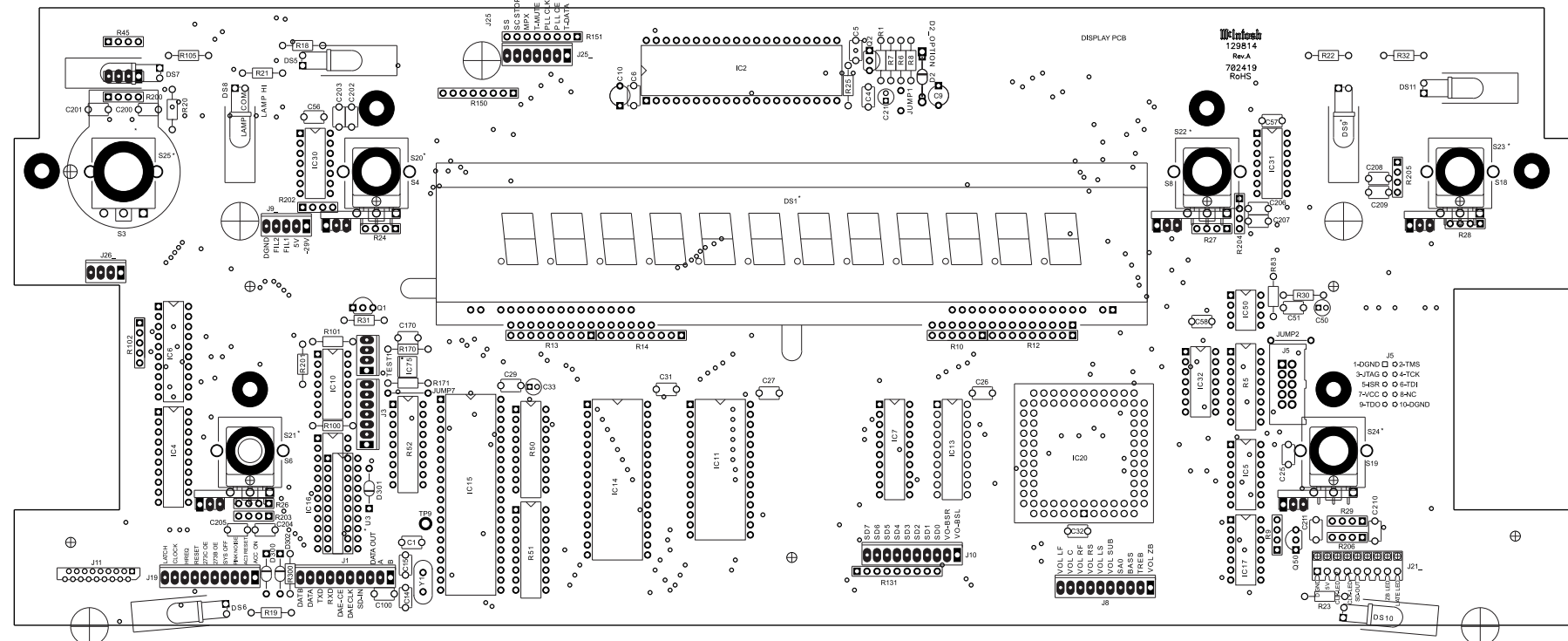
1 INTERCONNECT



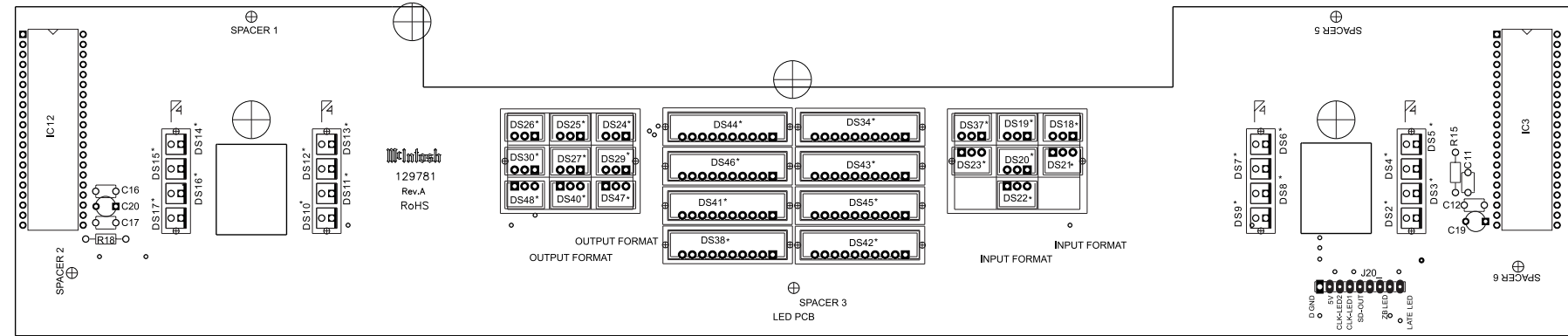




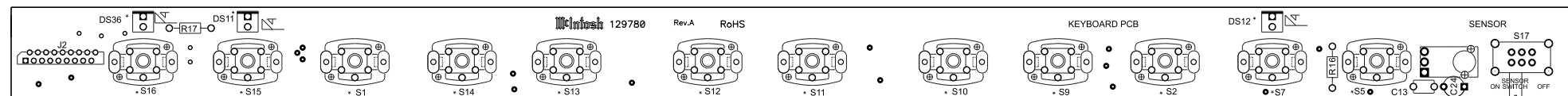
2A DISPLAY CONTROL SECTION 750565



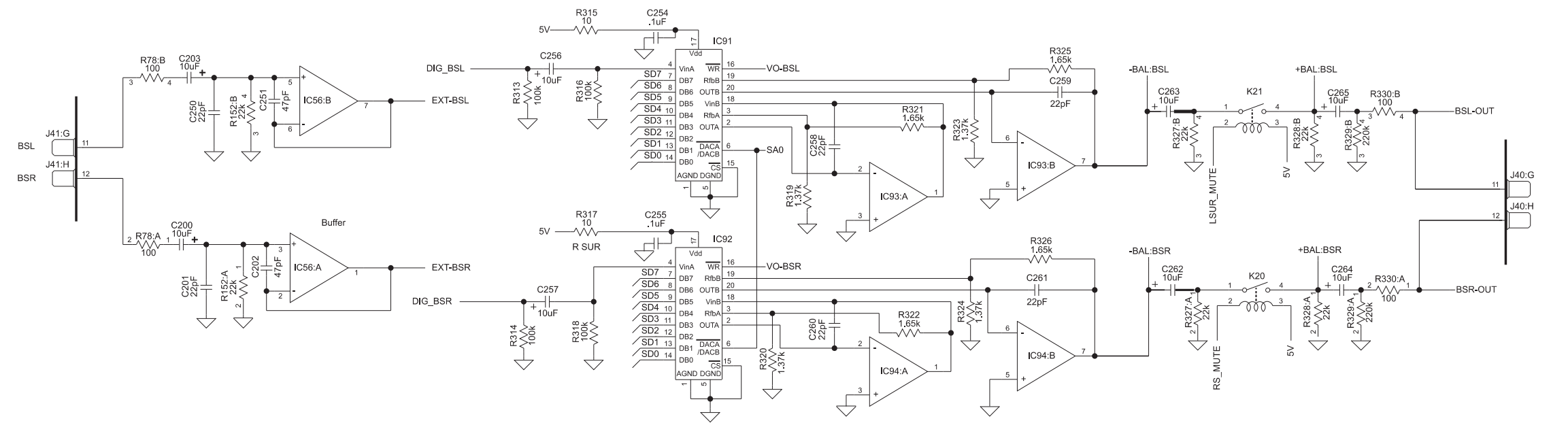
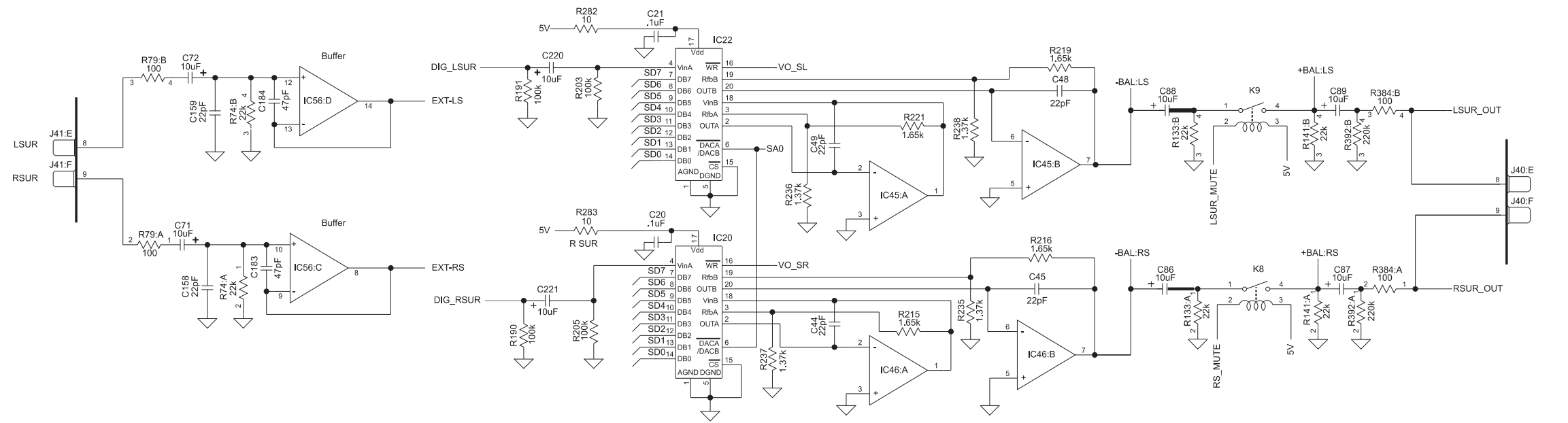
2B LED SECTION 750569

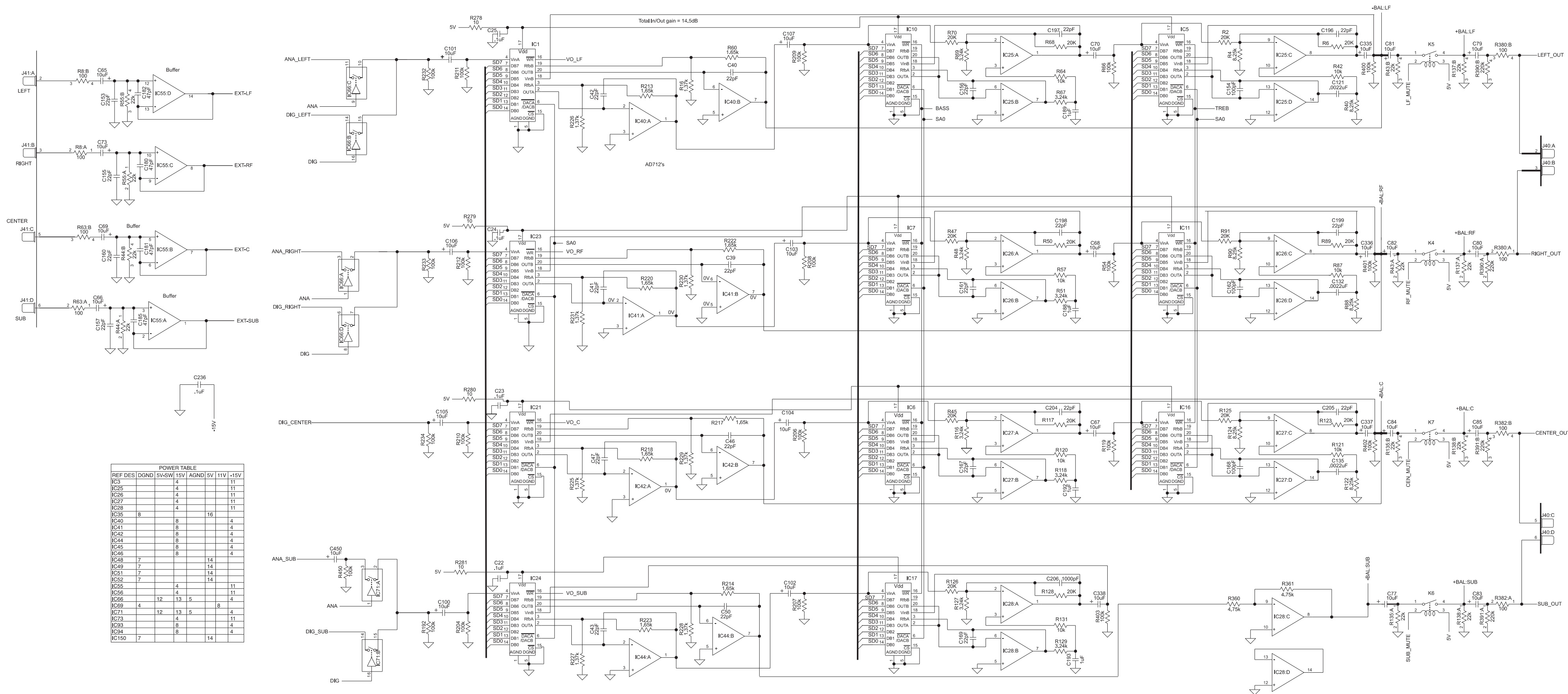


2C KEYBOARD SECTION 750568



3 SURROUND 750570 SH 1 OF 6

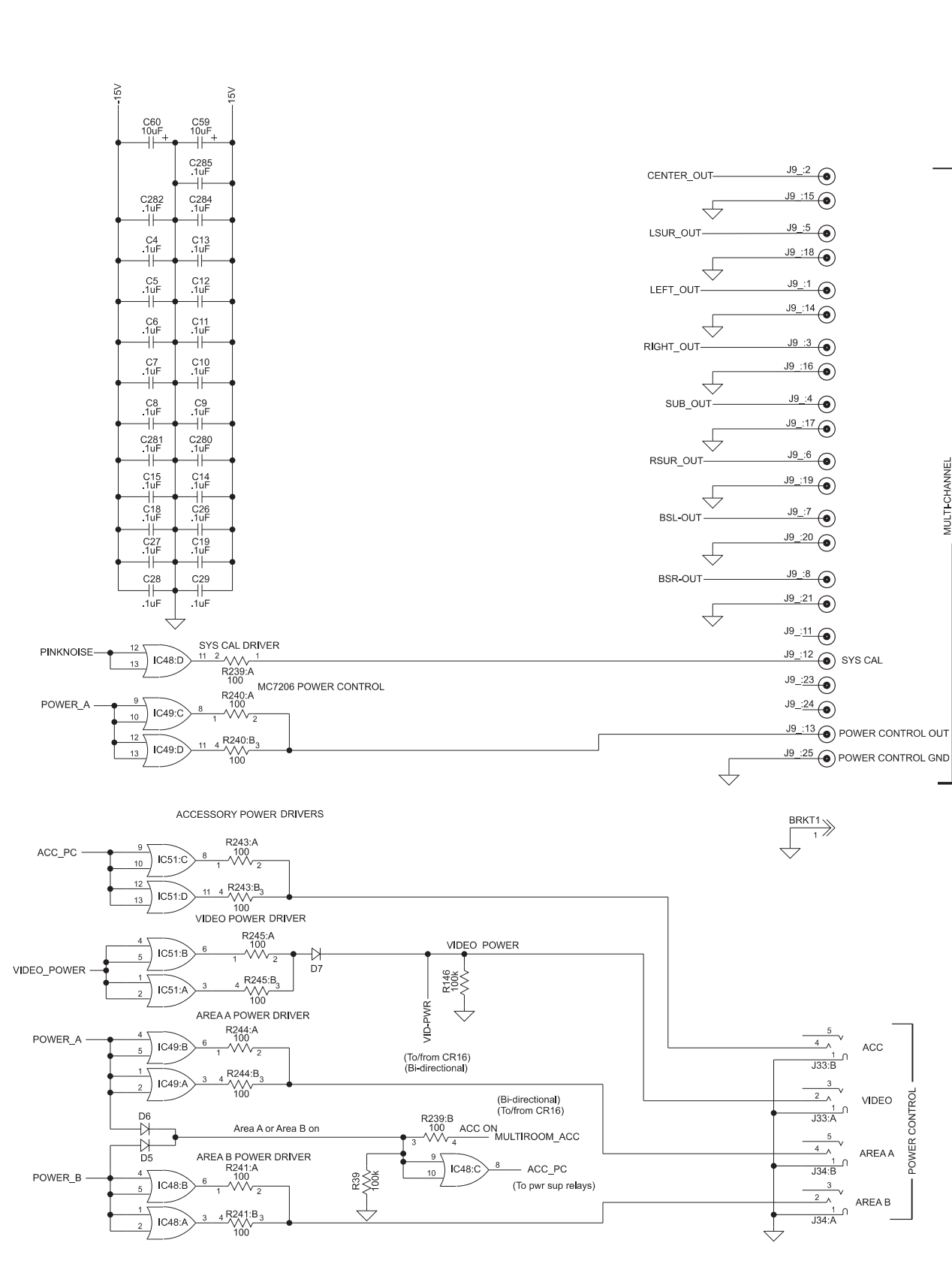
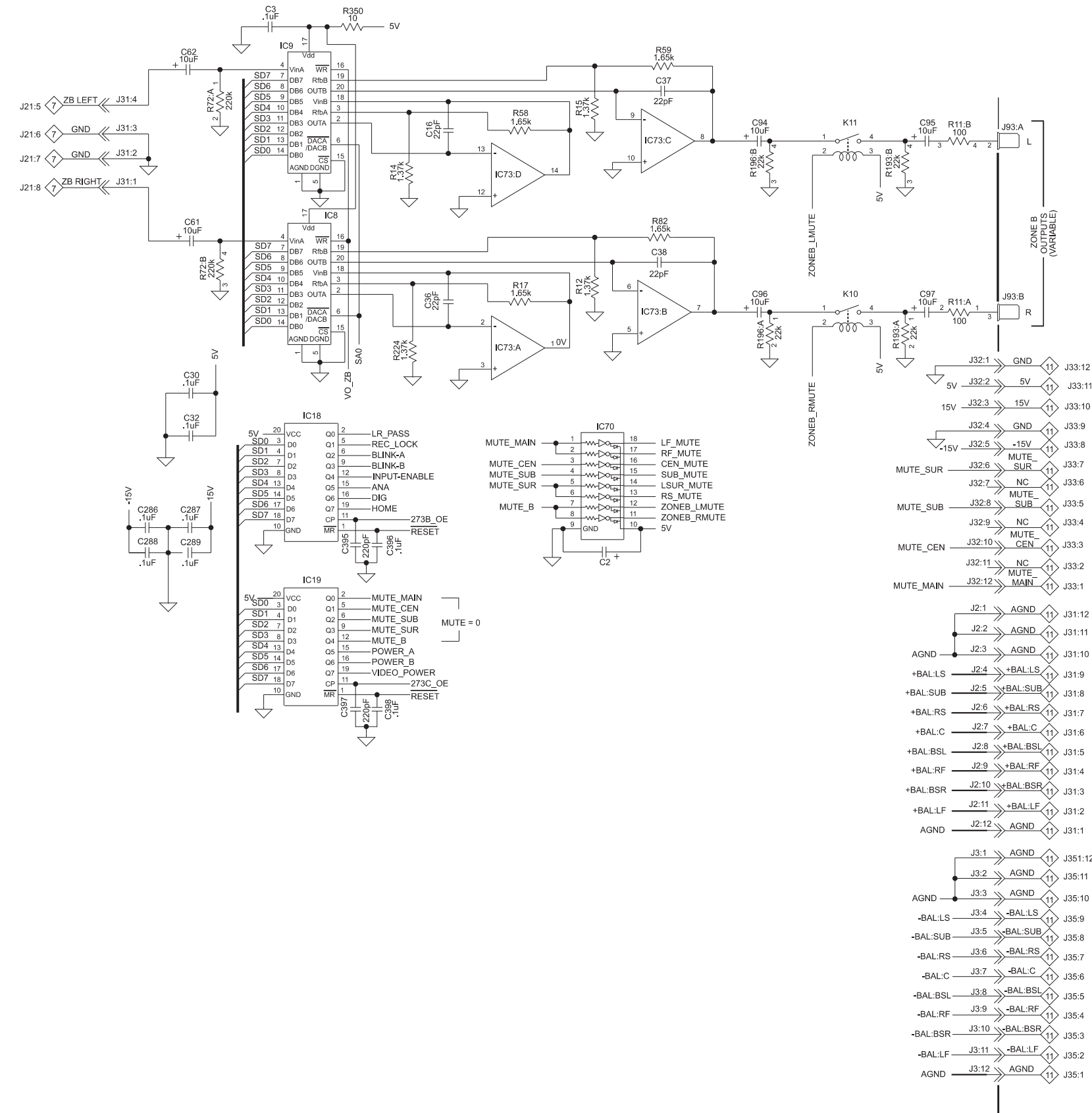


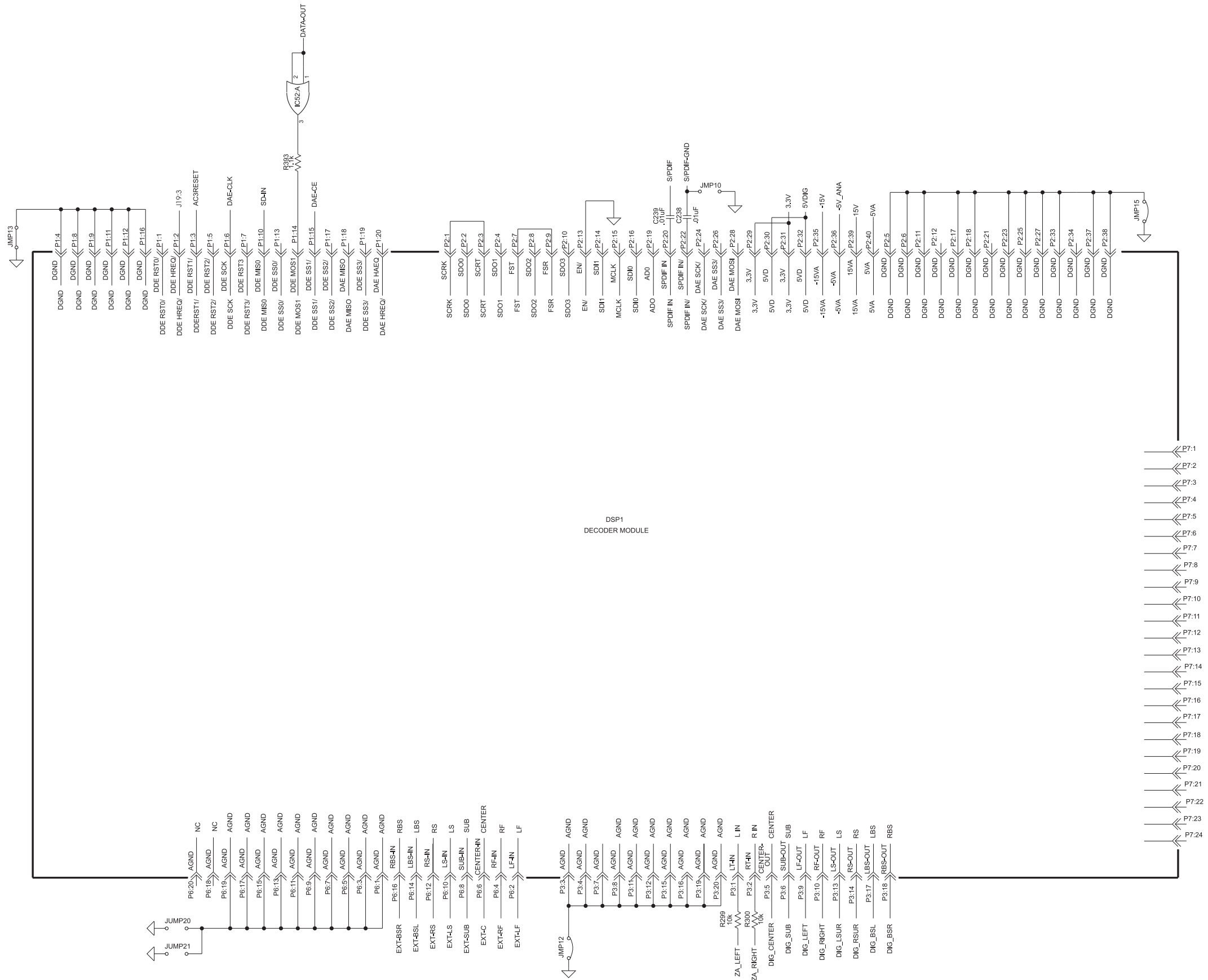


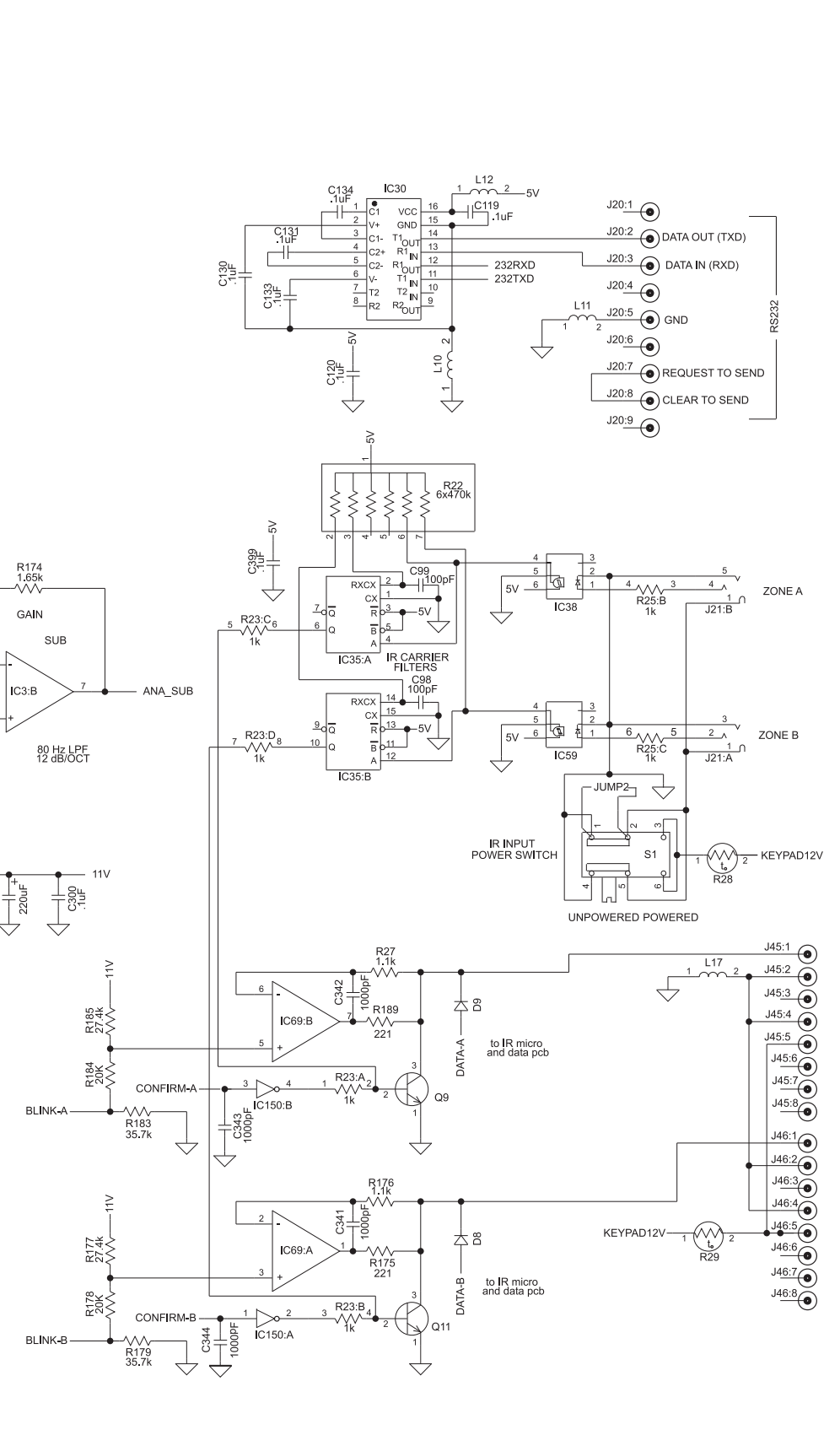
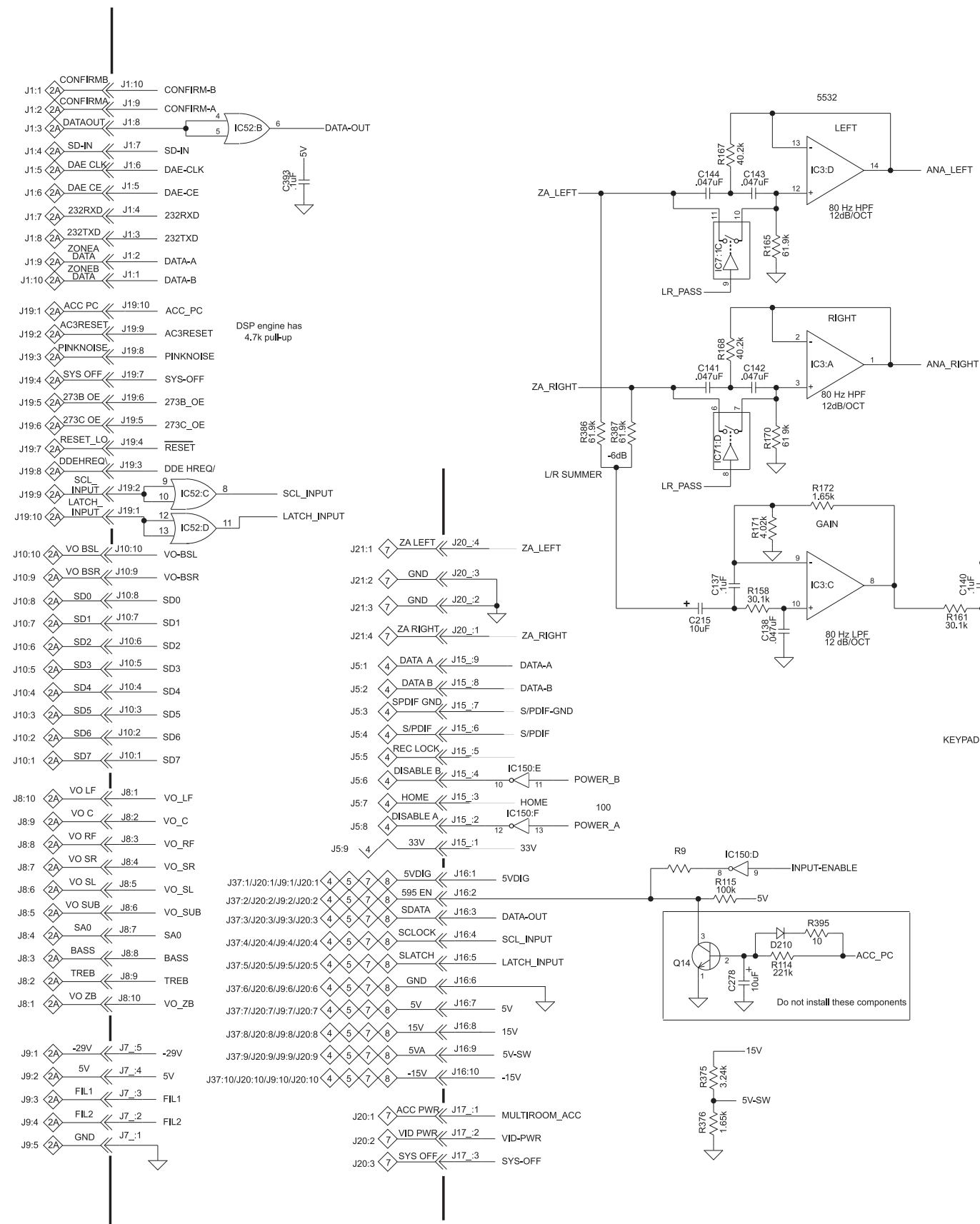
POWER TABLE

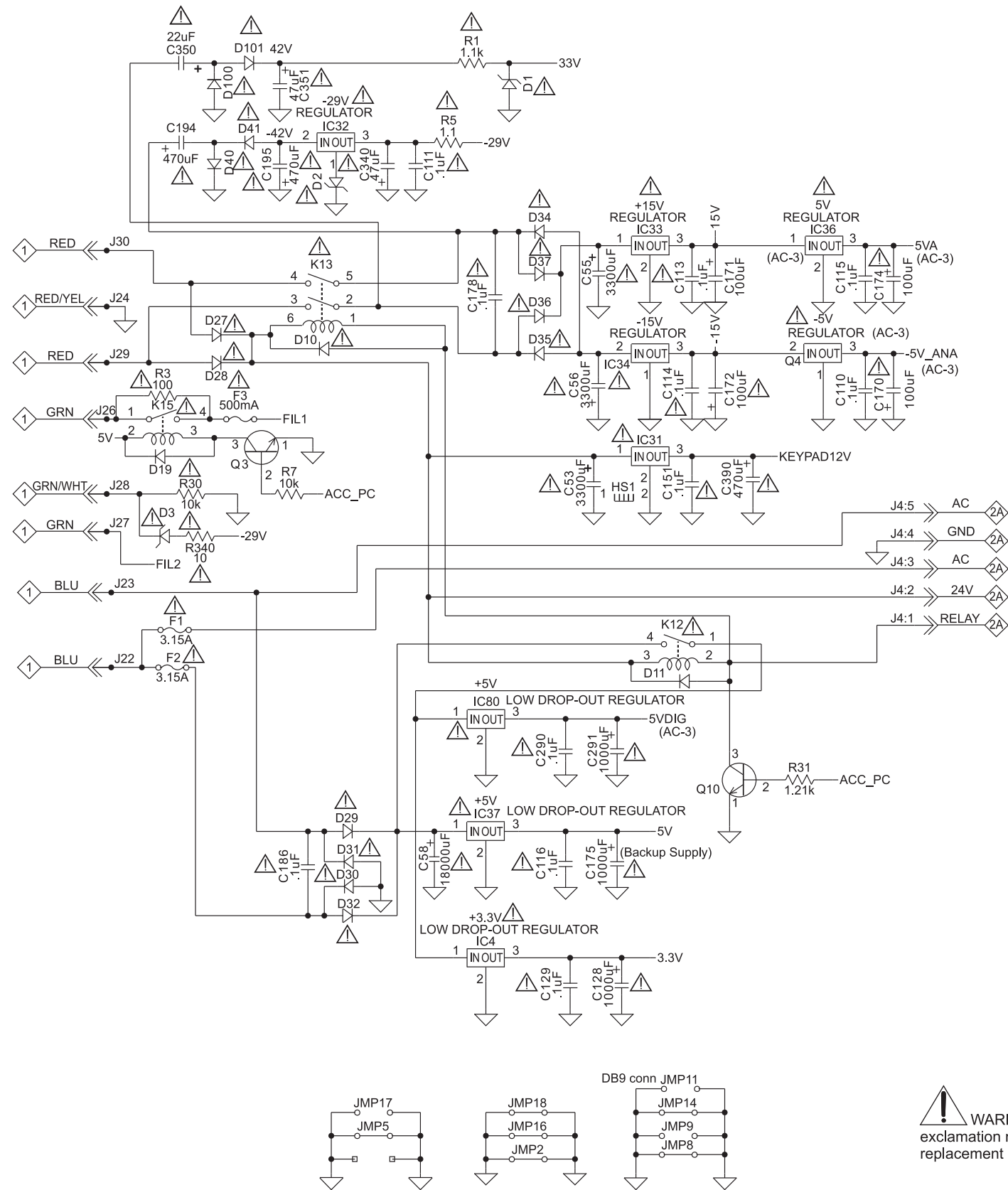
REF DES	DGND	5V-SW	15V	AGND	5V	11V	-15V
IC3		4					11
IC25		4					11
IC26		4					11
IC27		4					11
IC28		4					11
IC35		8					16
IC40		8					4
IC41		8					4
IC42		8					4
IC44		8					4
IC45		8					4
IC46		8					4
IC48		7					14
IC49		7					14
IC51		7					14
IC52		7					14
IC55		4					11
IC56		4					11
IC69		12	13	5			8
IC71		4	12	13	5		4
IC73		4					11
IC93		8					4
IC94		8					4
IC150		7					14

3 SURROUND 750570 SH 3 OF 6

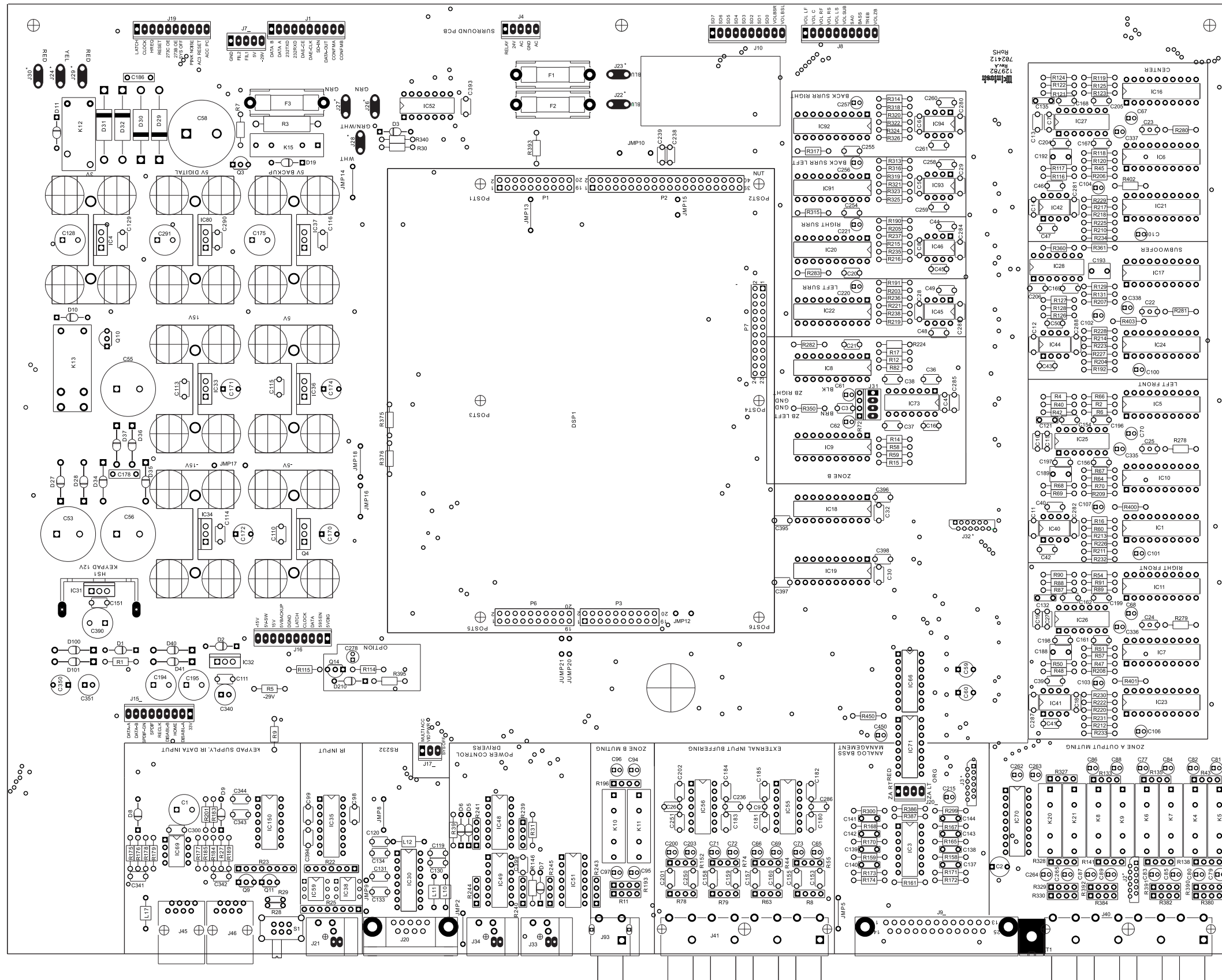


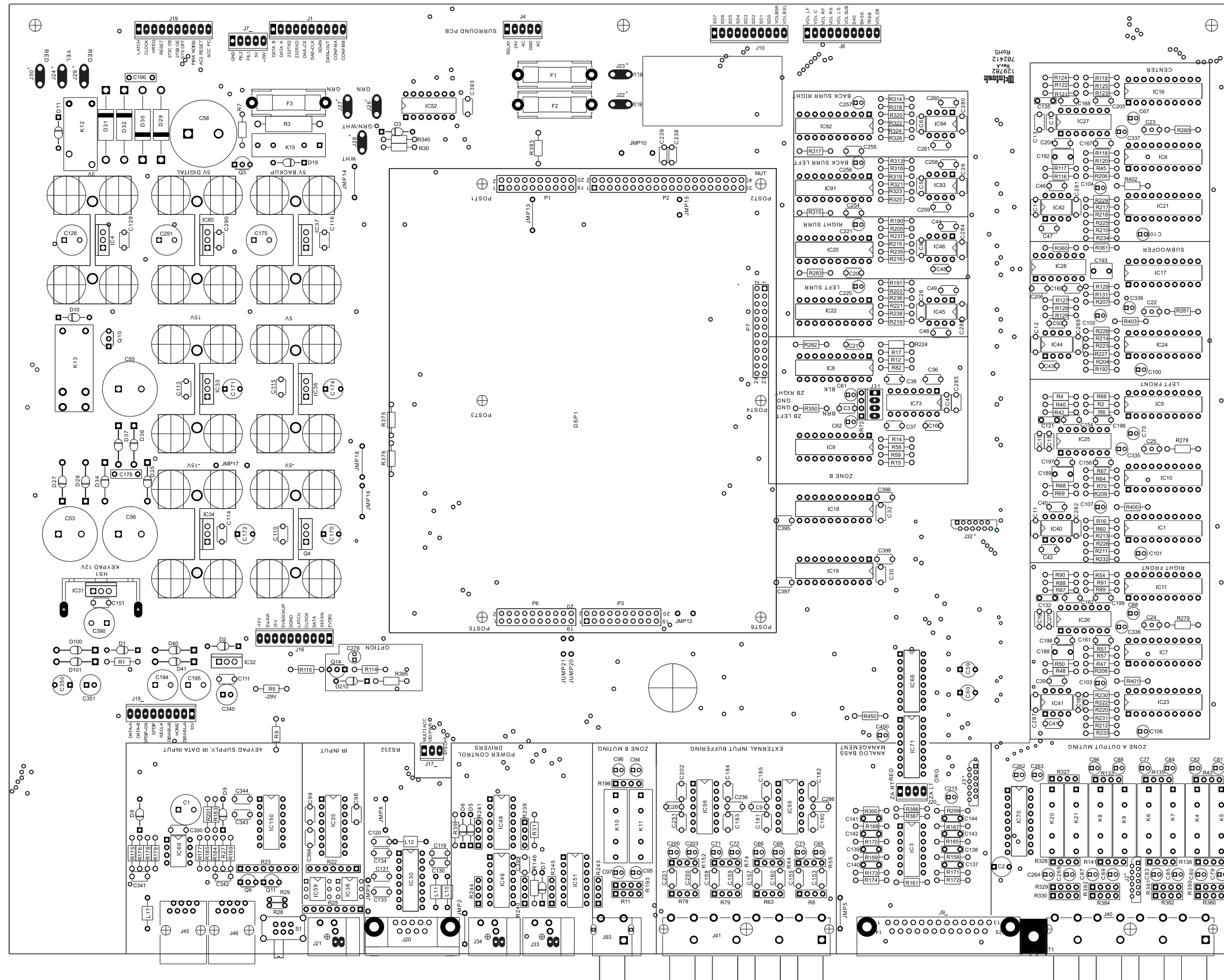






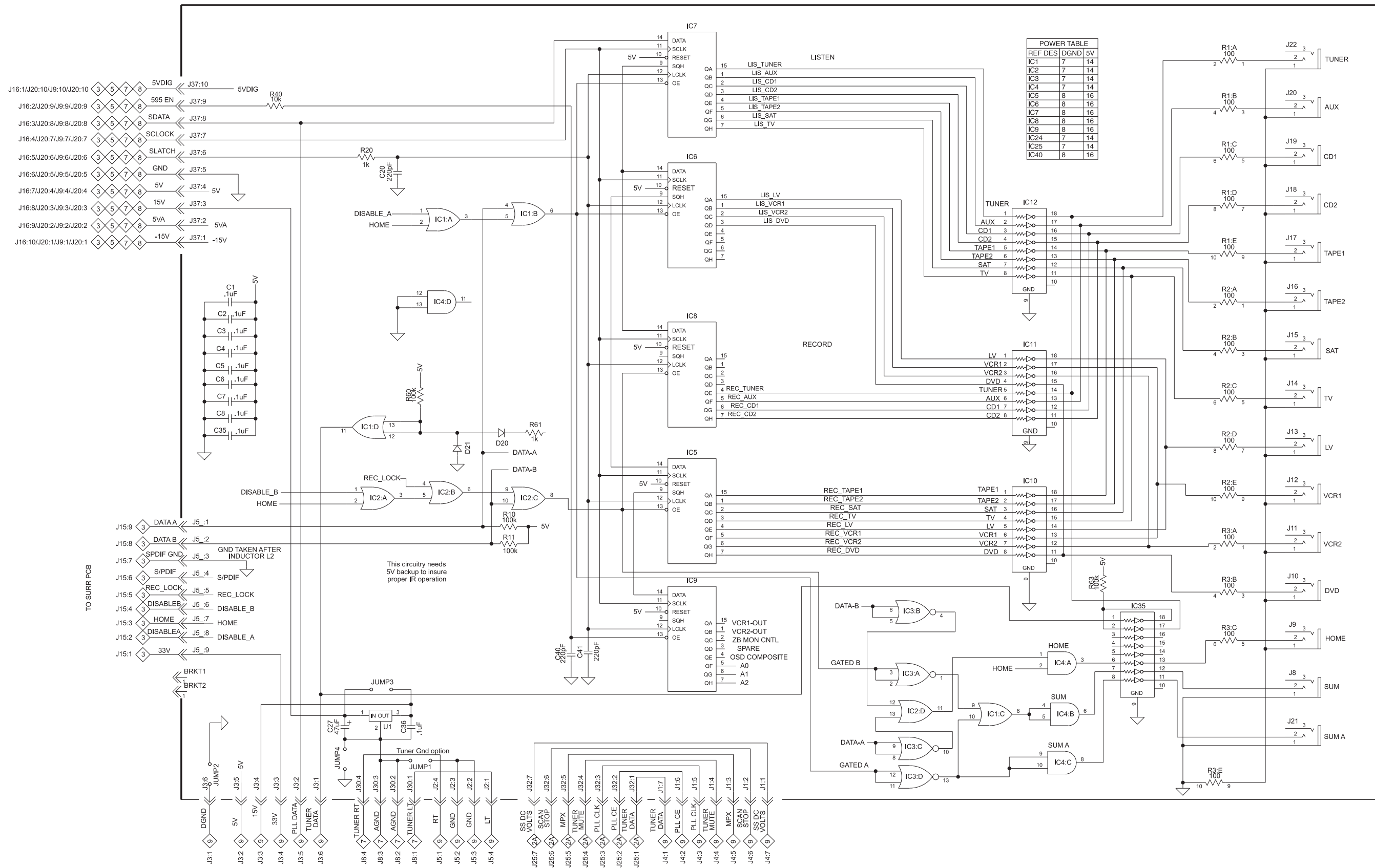
! WARNING Parts marked with a triangle and exclamation mark have critical characteristics. Use only replacement parts recommended by the manufacturer.

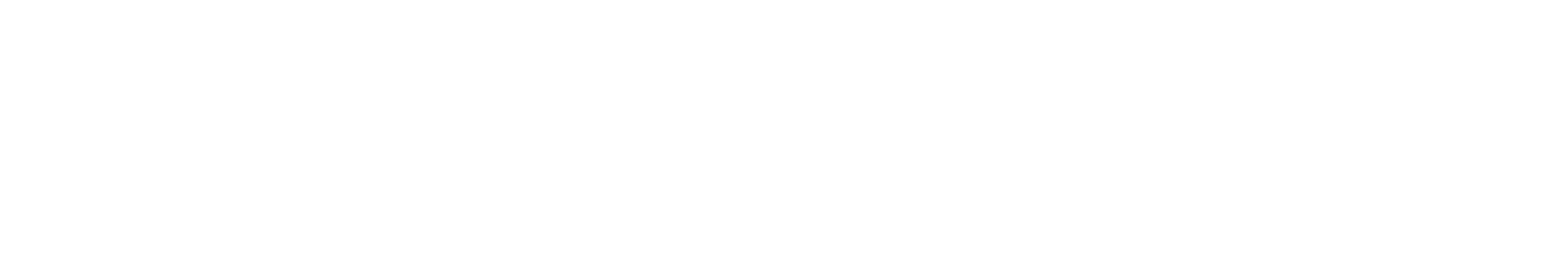
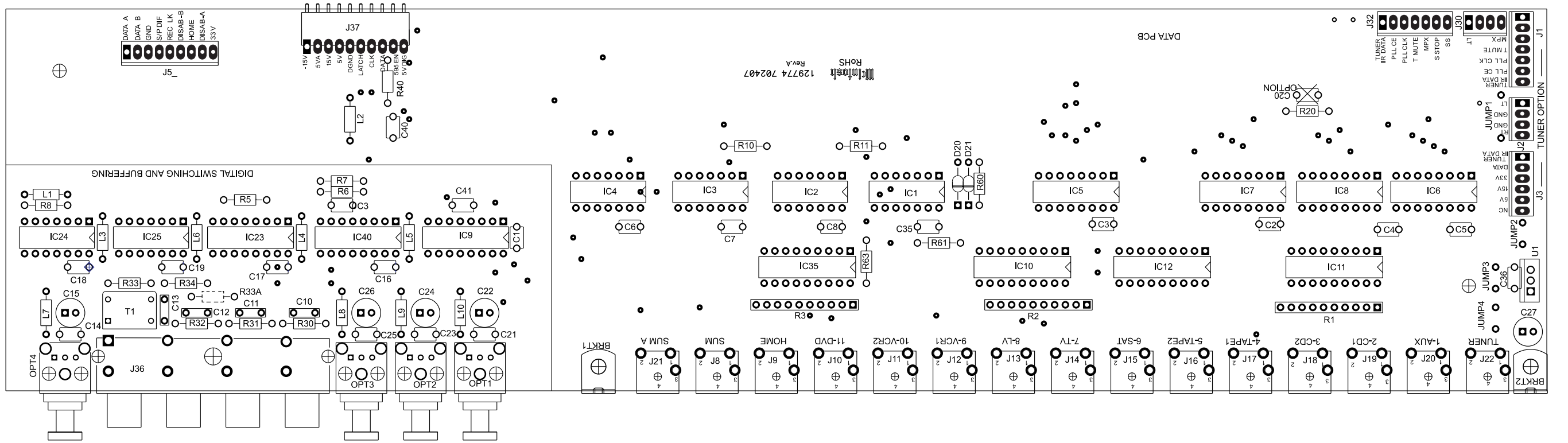
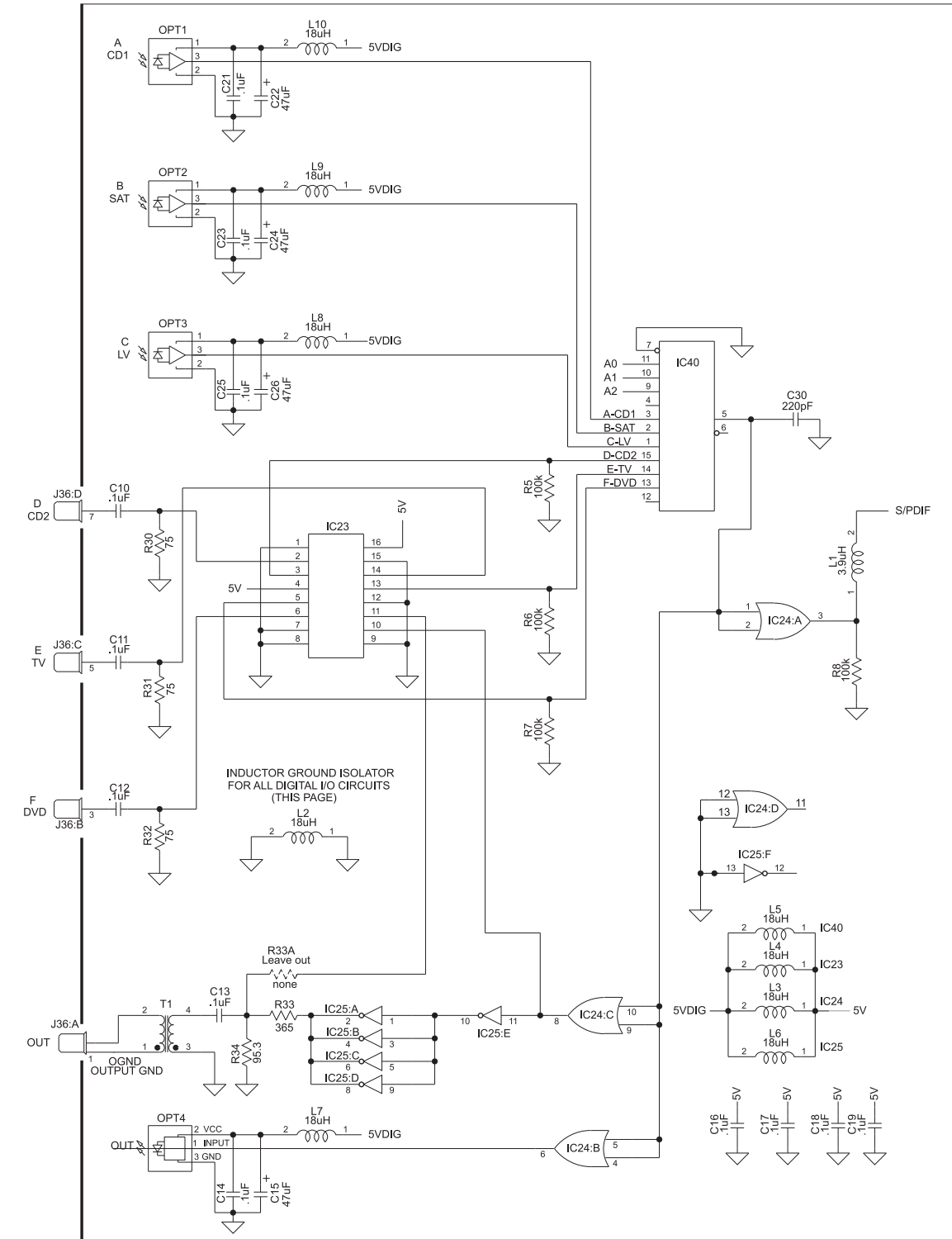


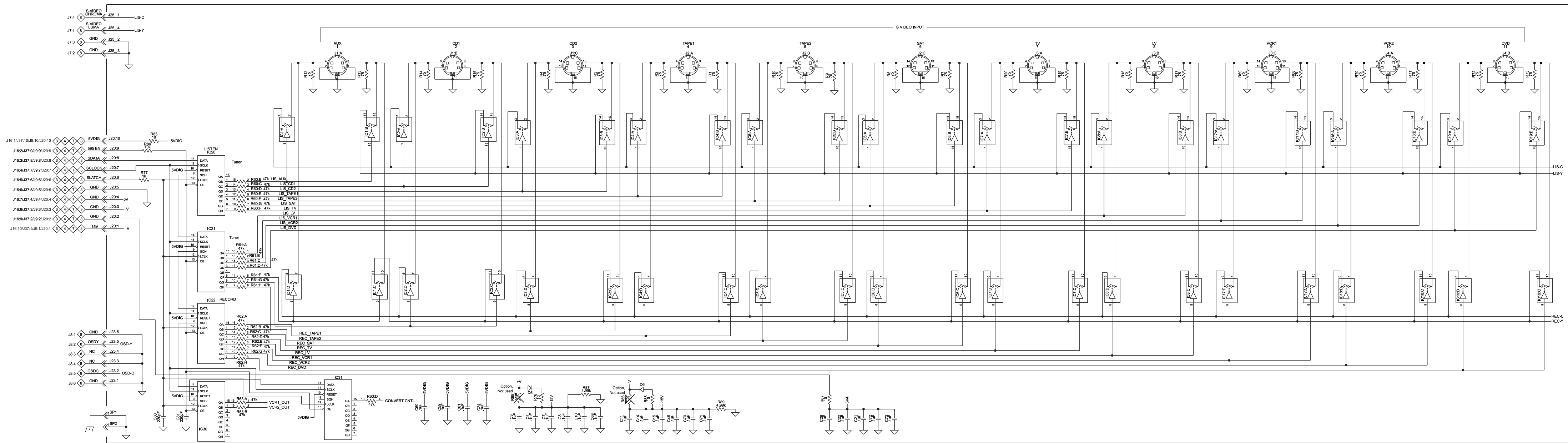


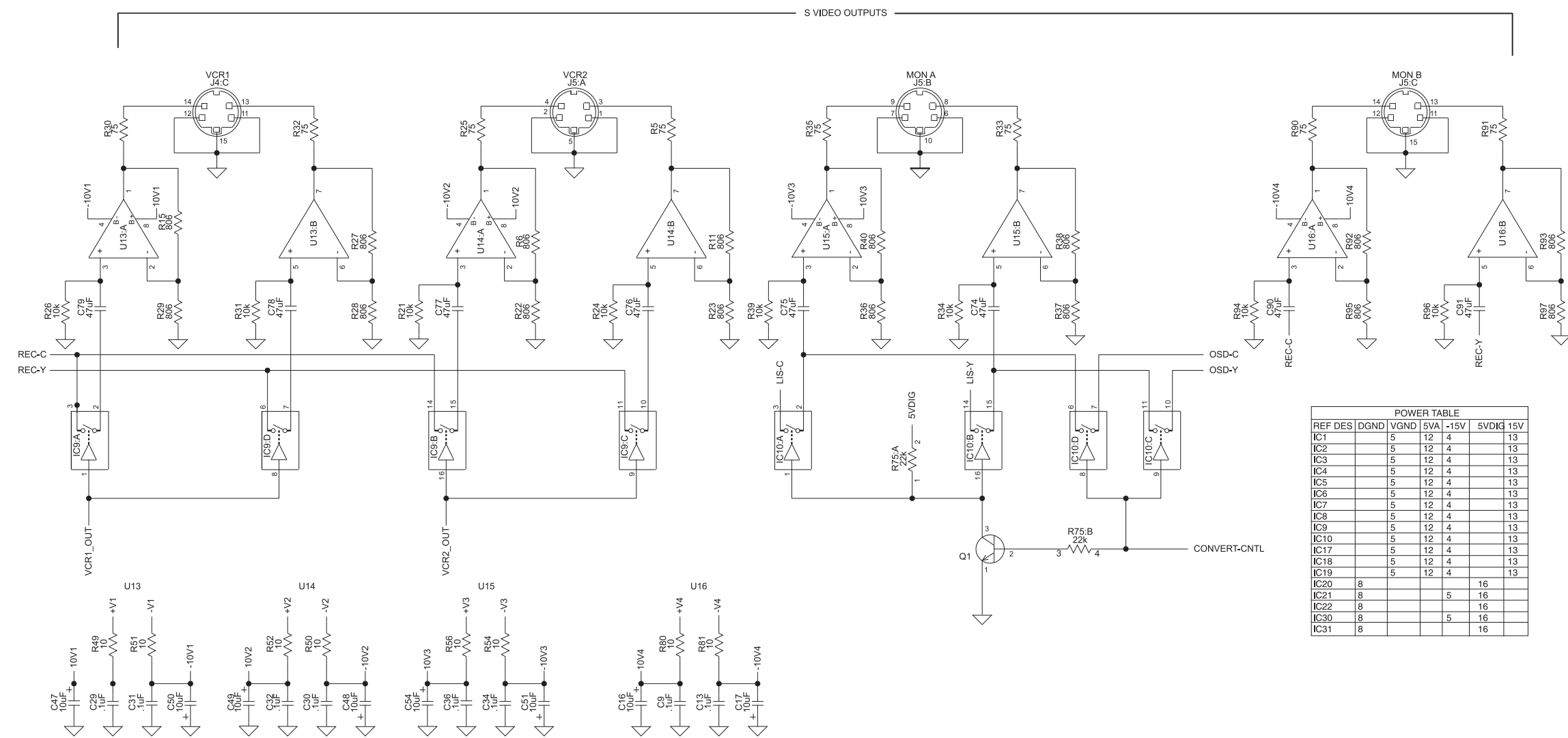
NOTES

MX136



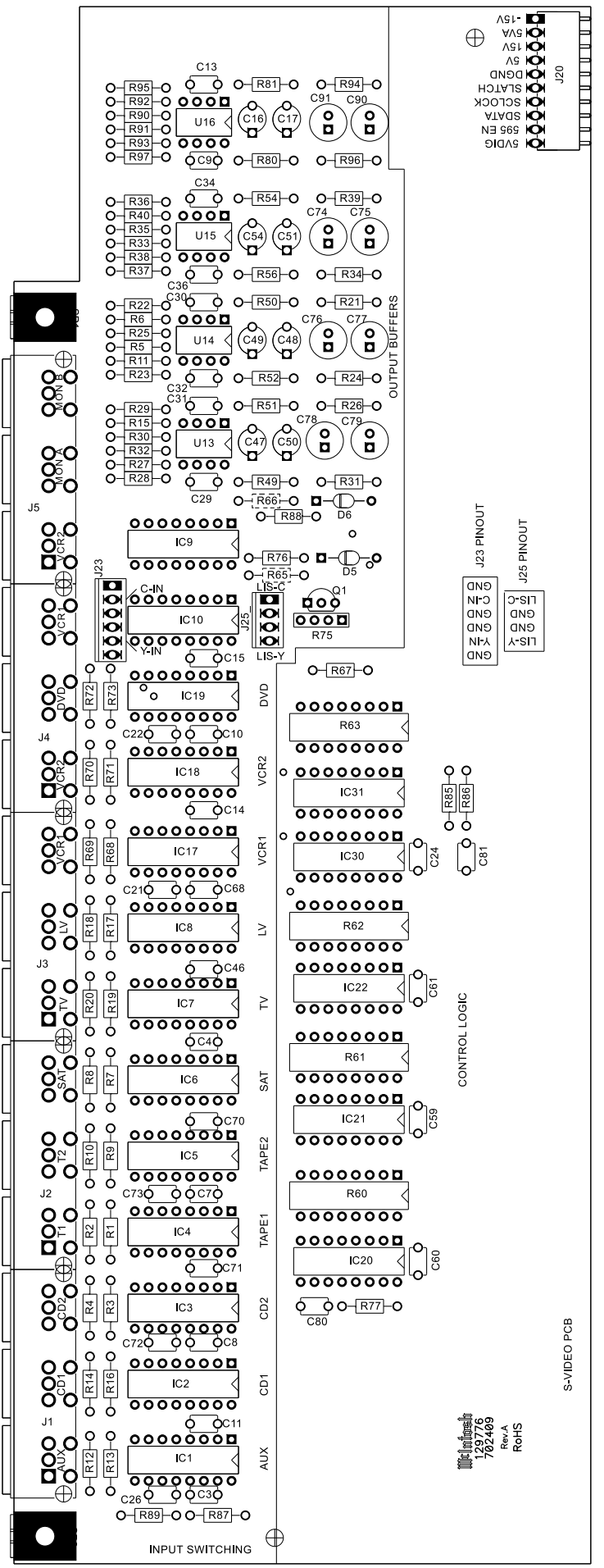




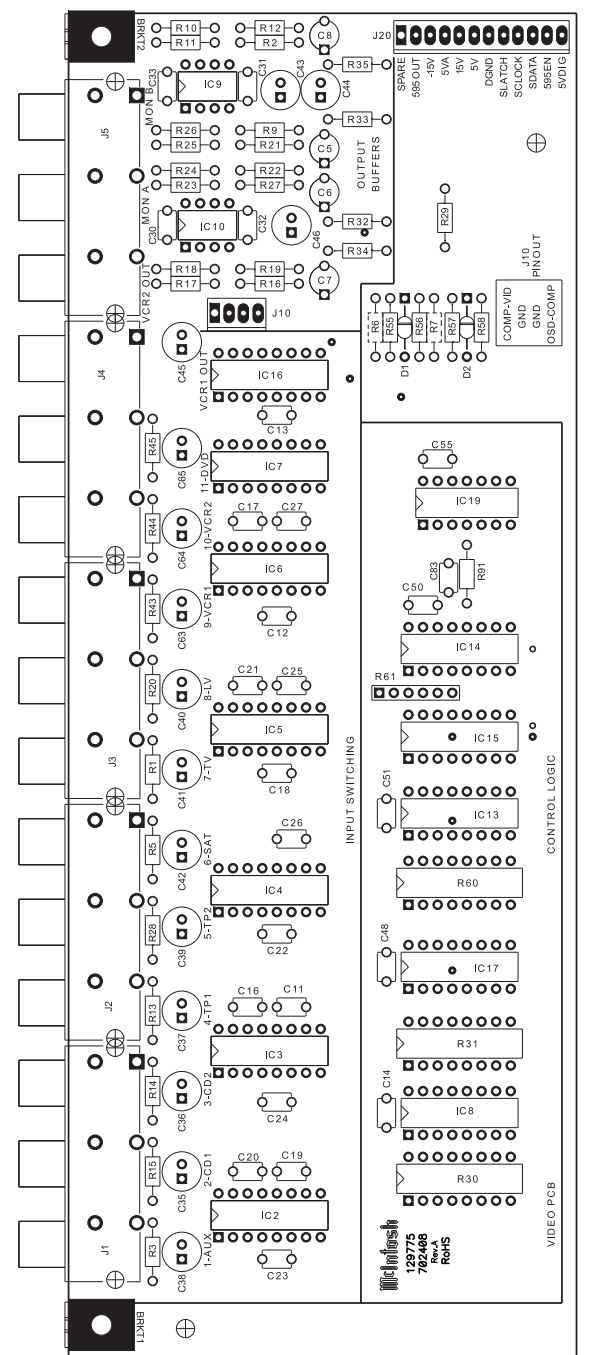
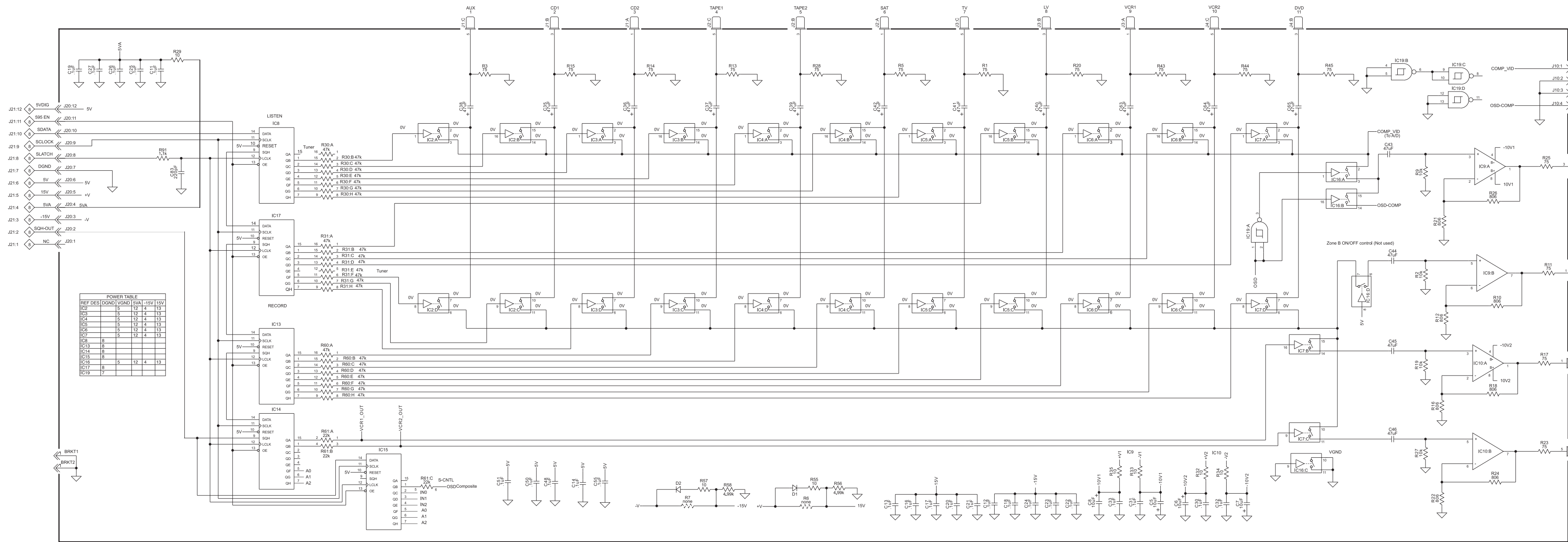


POWER TABLE

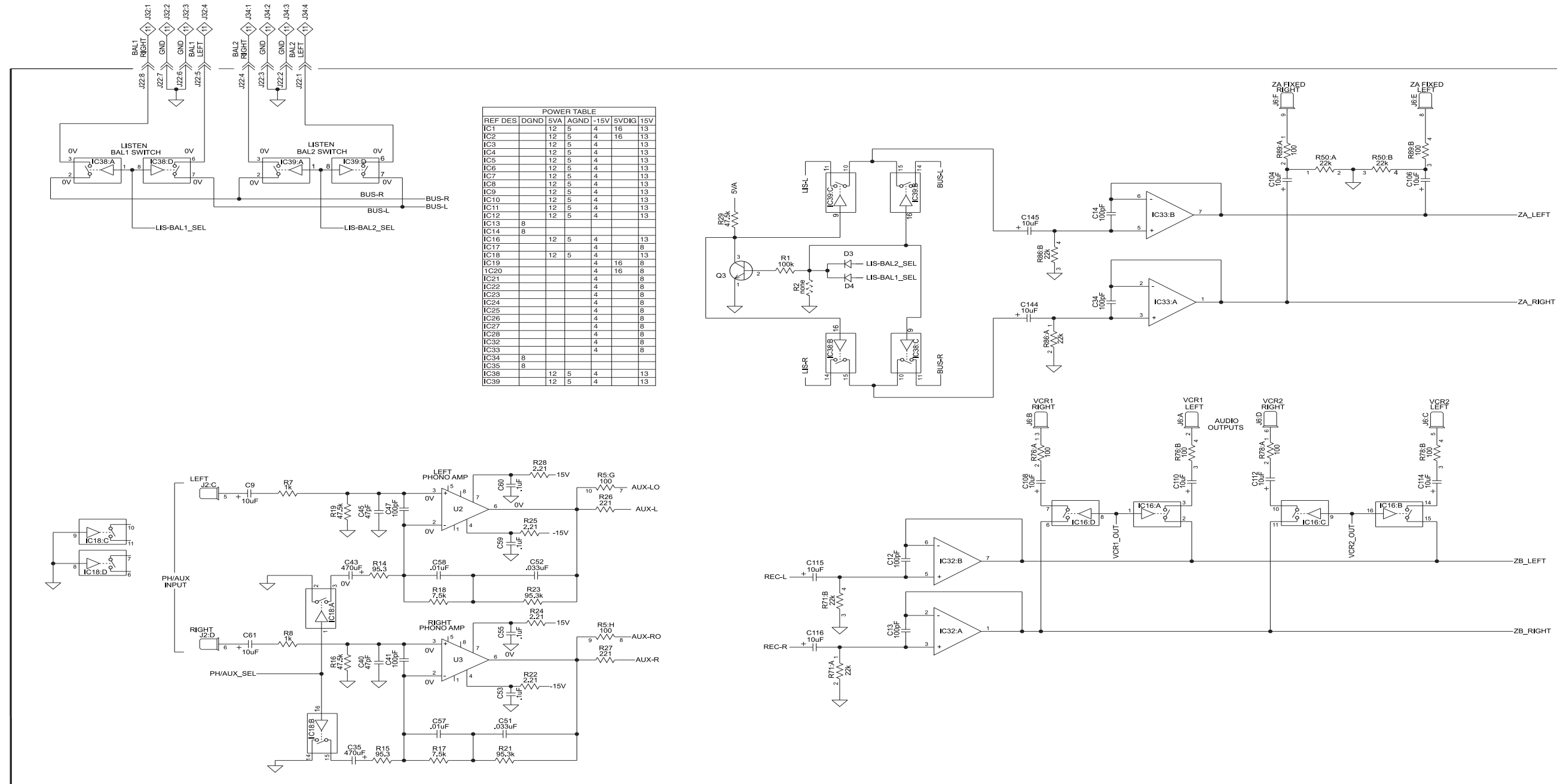
REF	DES	DGND	VGND	5VA	-15V	5VDIG	15V
IC1		5	12	4			13
IC2		5	12	4			13
IC3		5	12	4			13
IC4		5	12	4			13
IC5		5	12	4			13
IC6		5	12	4			13
IC7		5	12	4			13
IC8		5	12	4			13
IC9		5	12	4			13
IC10		5	12	4			13
IC17		5	12	4			13
IC18		5	12	4			13
IC19		5	12	4			13
IC20		8				16	
IC21		8		5		16	
IC22		8				16	
IC30		8		5		16	
IC31		8				16	



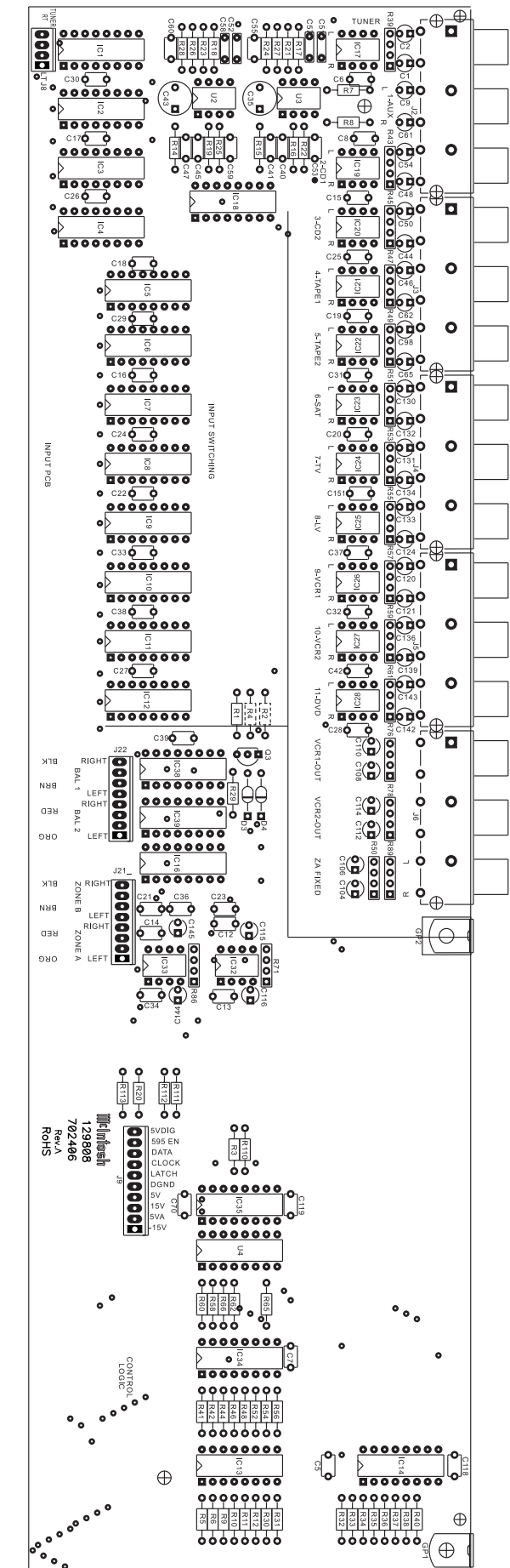
6 VIDEO 750563



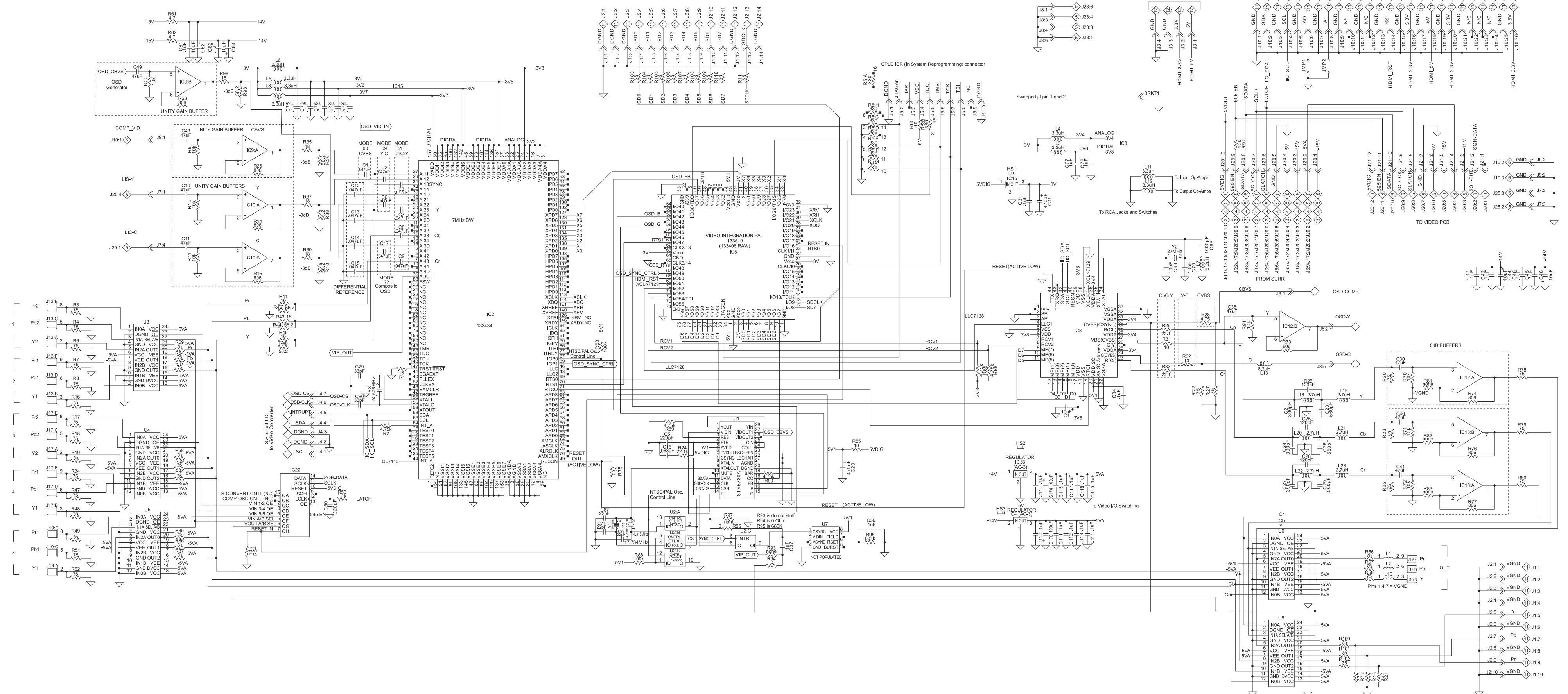
7 INPUT 750561 SH 2 OF 2



7 INPUT 750561



8 COMPONENT VIDEO 750566



TUNER ALIGNMENT PROCEDURE

Note: Refer to Figure 1 while reading the below procedure.

FM ALIGNMENT PROCEDURE

1. Connect an FM Signal Generator to Antenna Input.
2. Connect Distortion Analyzer to the TUNER IN/OUT RCA jacks.
3. Remove Top Cover and AM/FM TUNER Cover. Turn On the AC rocker switch. Press the red Standby button to turn the unit On.
4. Select Tuner with the Zone A selector knob. Put Tuner into FM mode and tune to 87.5MHz.
5. Adjust L5 (FM OSC Coil) for 3.5VDC at R46.
6. Tune to 108.5MHz and adjust C59 (FM OSC Trimmer Capacitor) for 24.5VDC at R46.
7. Repeat steps 4, 5 and 6 as necessary for a tuning range of 3.5VDC to 24.5VDC at R46.
8. Tune the Generator and Tuner to 90MHz and adjust Coils: L2 (FM MIX), L3 (FM RF) and L4 (FM ANT) for best sensitivity.
9. Tune the Generator and Tuner to 104MHz and adjust Trimmer Capacitors: C60 (FM MIX), C62 (FM RF) and C63 (FM ANT) for best sensitivity.
10. Repeat 8 and 9 until no improvement in sensitivity is noted.
11. Tune Tuner to 90MHz with no RF Input and adjust T9 (FM DETector Primary) for zero volts between TP1 and TP2 relative (connector J6).
12. Tune the Generator to 90MHz and adjust the RF Output to 1000uV and 100% MONO modulation at 1000Hz. Then adjust T8 (FM DETector SECondary) for lowest distortion.
13. Reduce the Generator Output to minimum and detune the Generator so the Receiver picks up only noise, then recheck the voltage between TP1 and TP2 (connector J6). Adjust T8 and C65 if needed. If it is not 0+/- 0.2VDC, repeat steps 11 and 12. If there is interference from a station on this frequency, tune the Tuner to a nearby frequency free from interference for this measurement.
14. Tune the Generator to 90MHz with a 1000uV output. Then switch the Generator to stereo (left only) and adjust T10 (FM IF Transformer) for the lowest distortion at the TUNER IN/OUT RCA jacks.
15. Switch the Analyzer to the right channel TUNER IN/OUT jack and adjust R71 (MPX SEParation Pot) for best separation (minimum output).
16. Switch the Generator to the Right Channel and the Analyzer to the Left Channel. Adjust R71 (MPX SEParation Pot) and check for best separation (minimum output).
17. Disconnect voltmeter from TP1 and TP2 (J6). Reduce the generator output to 5uV and adjust R73 (STEREO SWITCH Pot) so the MPX light (Dot next to Signal Strength number) just comes on.

AM ALIGNMENT PROCEDURE

1. Connect an AM Signal Generator to the RAA1 "EXT ANT" pin of the 5 pin connector. (Refer to Page 66.) Connect a Distortion Analyzer to the MX135 rear panel TUNER IN/OUT RCA jacks.
2. Tune to bottom of band, and adjust T11 (AM OSC Coil) for 3.0VDC at R46.
3. Tune to top of band and adjust C64 (AM OSC Trimmer Capacitor) for 26.0VDC at Connector R46.
4. Repeat steps 2 and 3 as necessary for a Tuning Voltage Range of 3.0 to 26.0VDC.
5. Tune the Generator and Tuner to 600kHz, then adjust Coils: T101 (AM ANT) and T12 (AM RF) for best sensitivity. *Note: Coil T101 (AM ANT) is located on the RAA1. It is labeled "L1".*
6. Tune the Generator and Tuner to 1400kHz, then adjust Trimmer Capacitors: C106 (AM ANT) and C61 (AM RF) for best sensitivity. *Note: Trimmer Capacitor C106 (AM ANT) is located on the RAA1. It is labeled "C1".*
7. Repeat 5 and 6 until no improvement in sensitivity is noted.
8. Note the initial position of R70, and then adjust R70 fully counter clockwise. Tune the Generator and Tuner to 1400kHz (20uV, 30% modulation), then Adjust T7 (AM IF) for maximum signal.
9. Tune the Generator and Tuner to 1400kHz (100mV, 30% modulation). Slowly adjust R70 clockwise until the MX135 front panel signal strength display reads "9".
10. Check both channels for signal to noise performance, and re-adjust R70 and as needed.

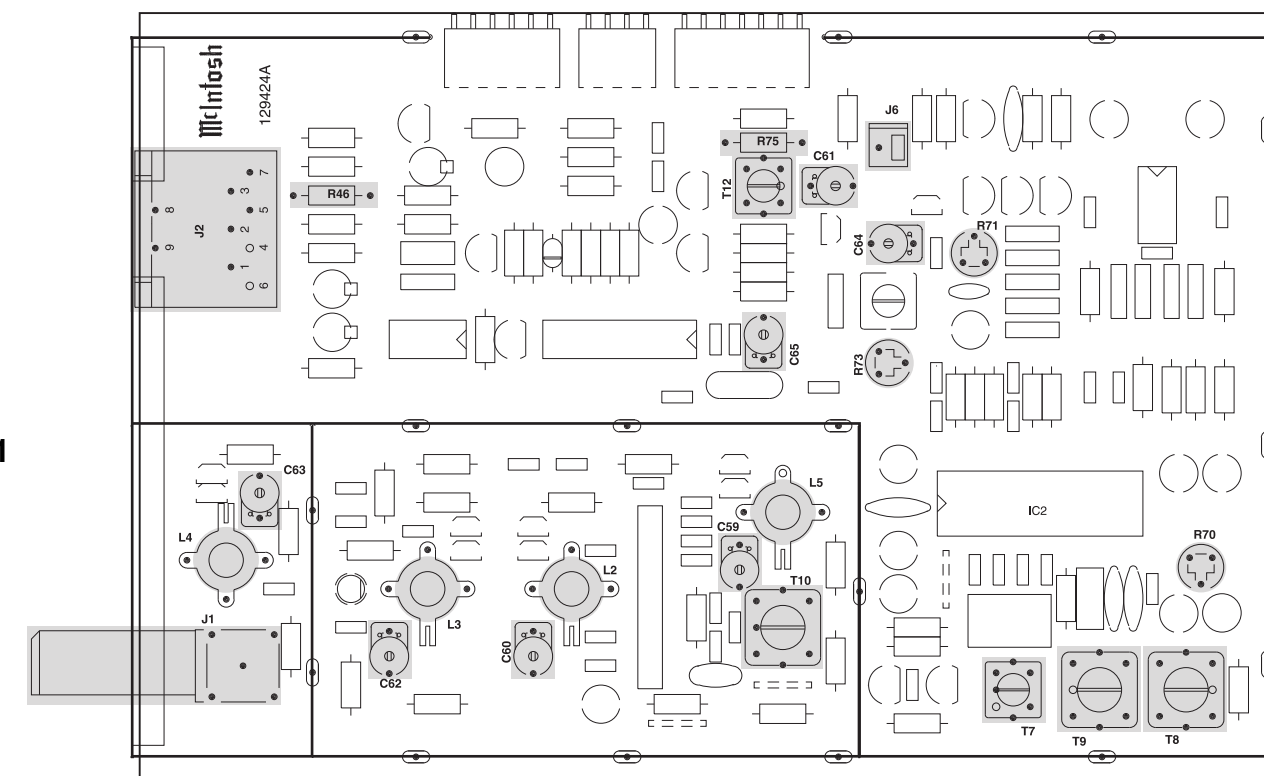
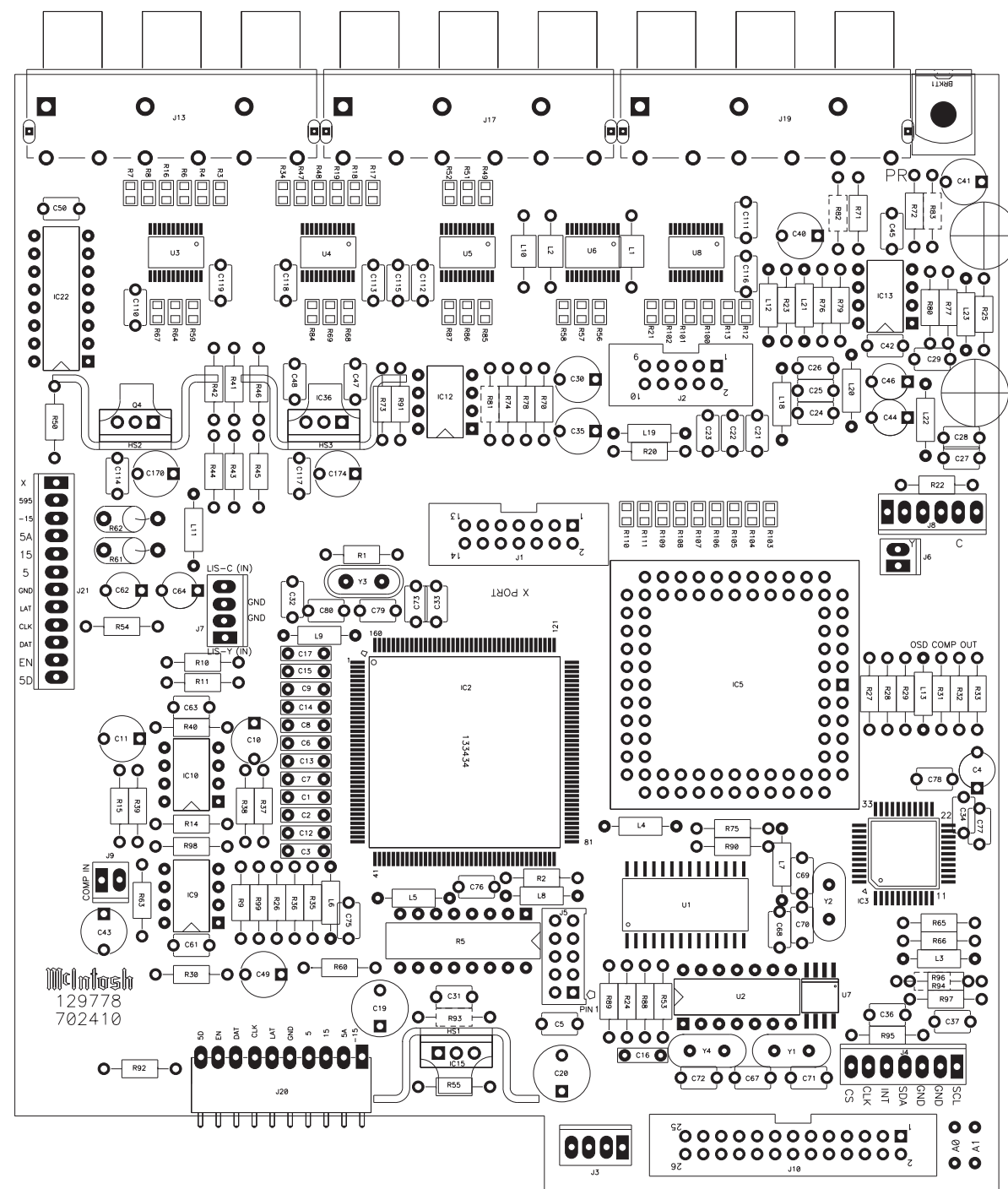
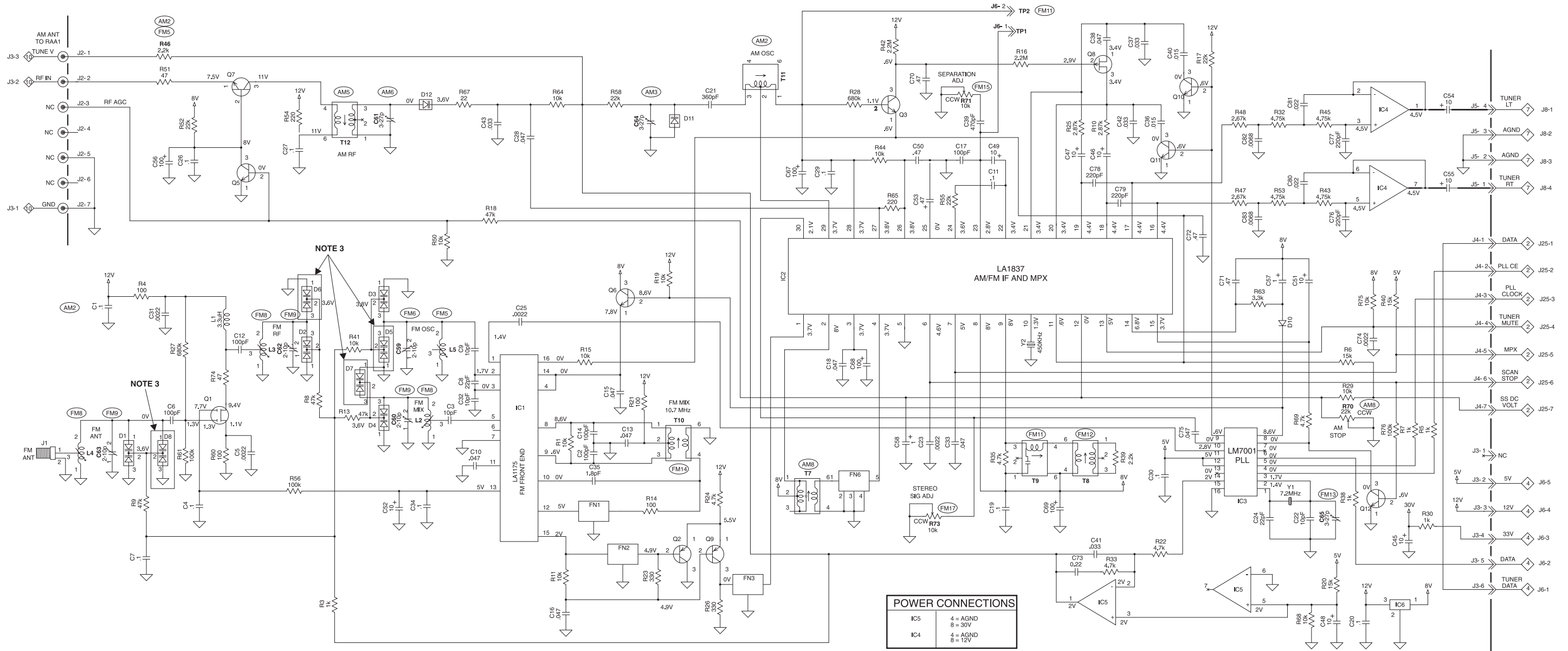


Figure 1



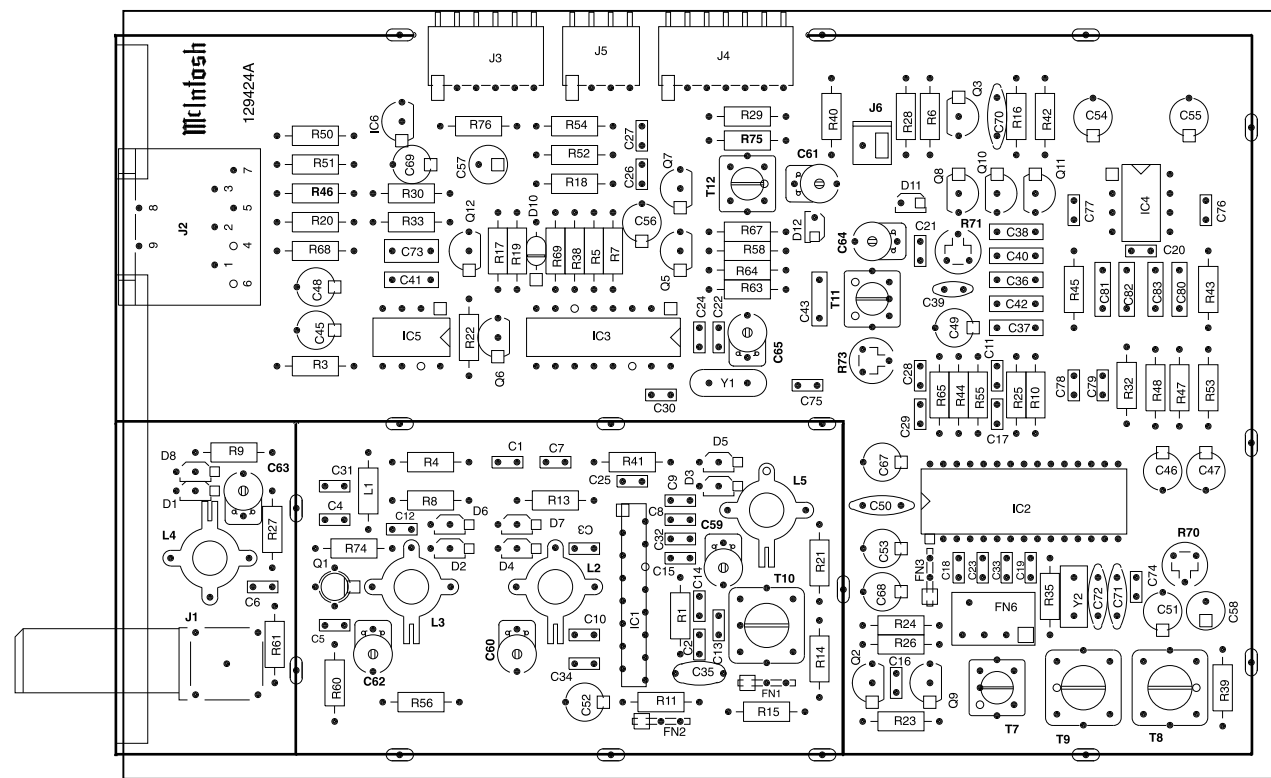
TUNER 049084 SCH

MX136



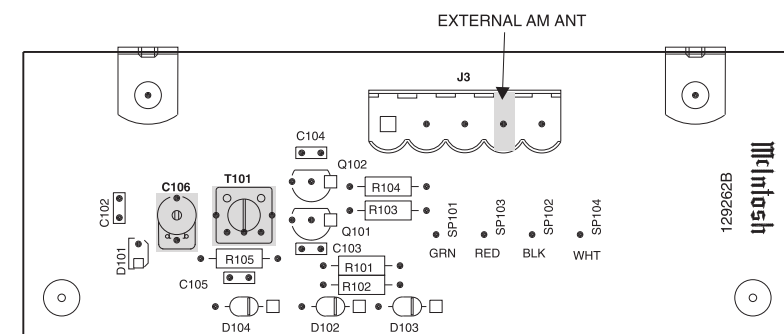
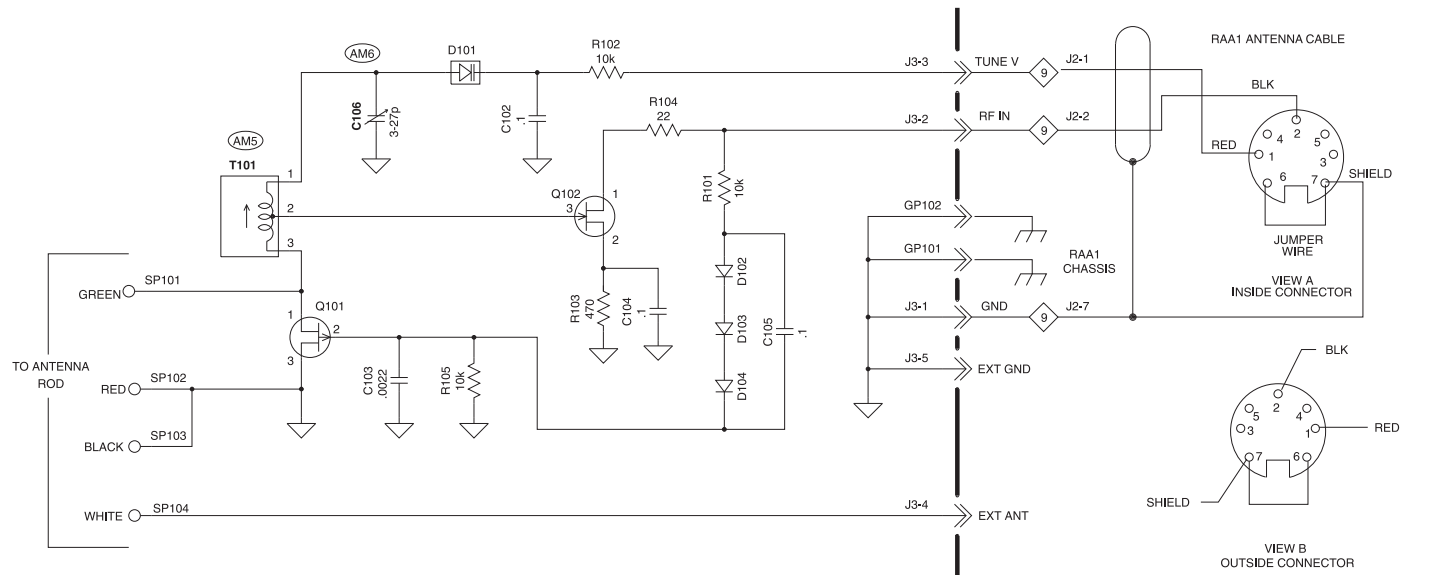
NOTES: SEE PAGE 61 - 62 FOR TUNER ALIGNMENT PROCEDURES.
 (FM1) THROUGH (FM17) REFER TO STEPS IN THE FM ALIGNMENT PROCEDURE.
 (AM1) THROUGH (AM10) REFER TO STEPS IN THE AM ALIGNMENT PROCEDURE.
 NOTE 3: FOR JAPANESE CONVERSION, VARACTORS D5, D6, D7 AND D8 ARE ADDED IN PARALLEL WITH D1, D2, D3 AND D4.

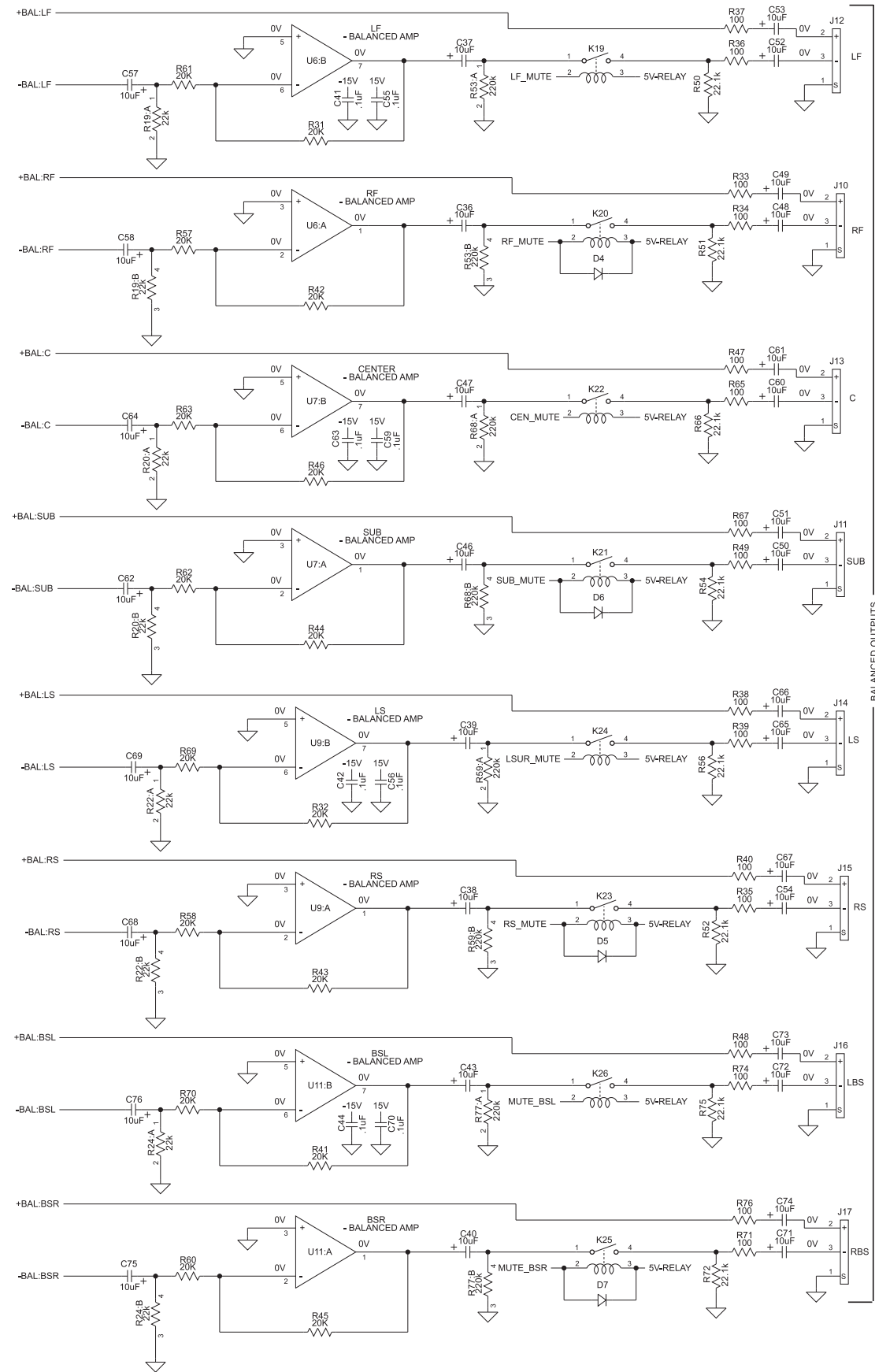
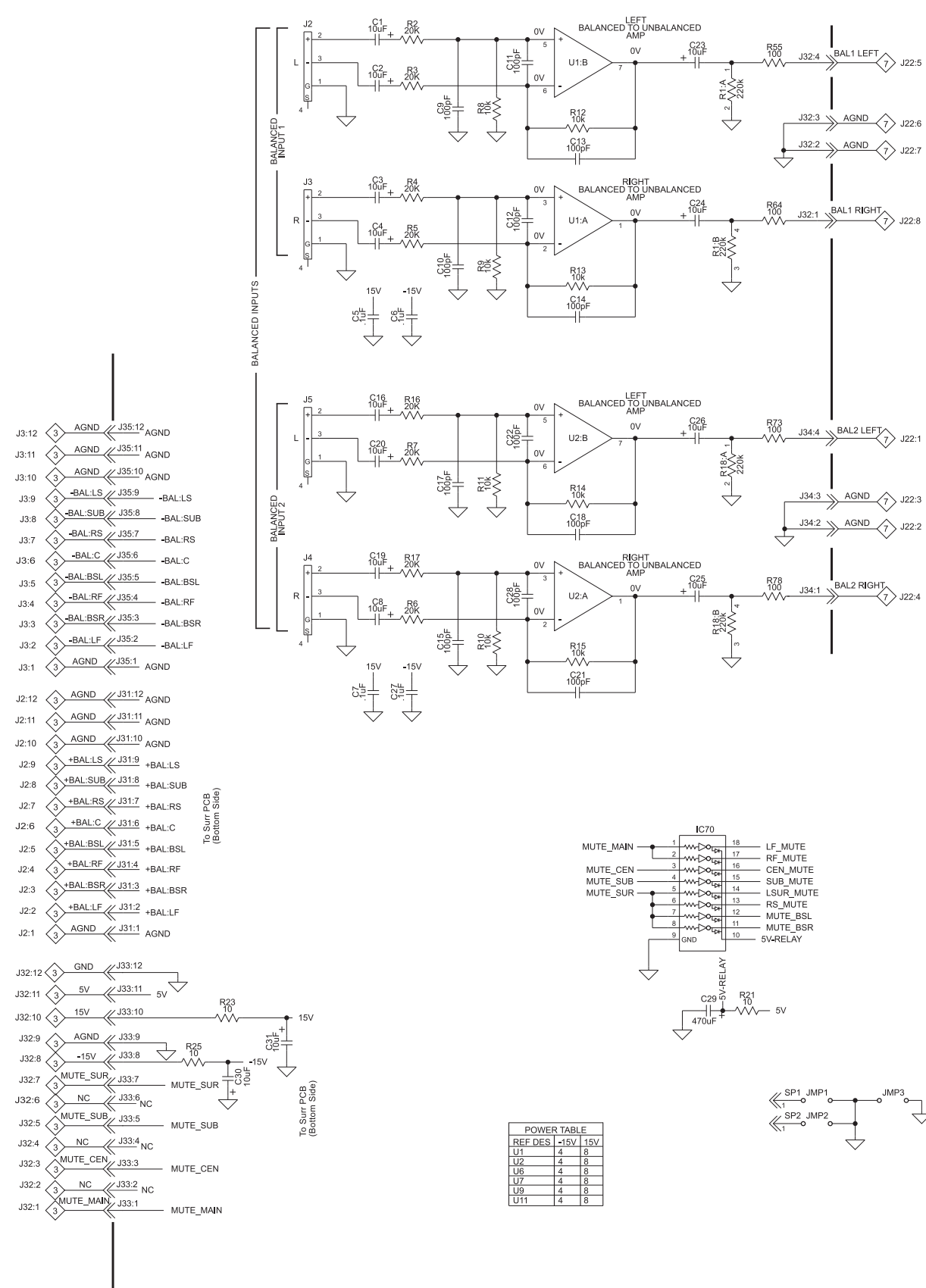
9A TUNER 049084 PCB



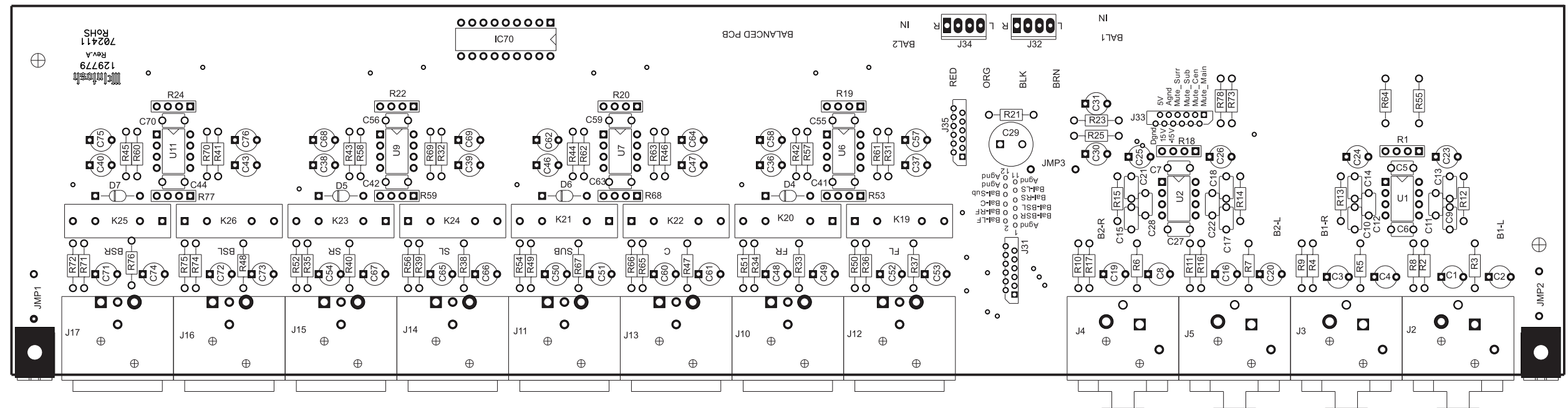
NOTE: SEE PAGE 61 - 62 FOR TUNER ALIGNMENT PROCEDURE.

9B RAA1 SECTION 049084 SCH and PCB

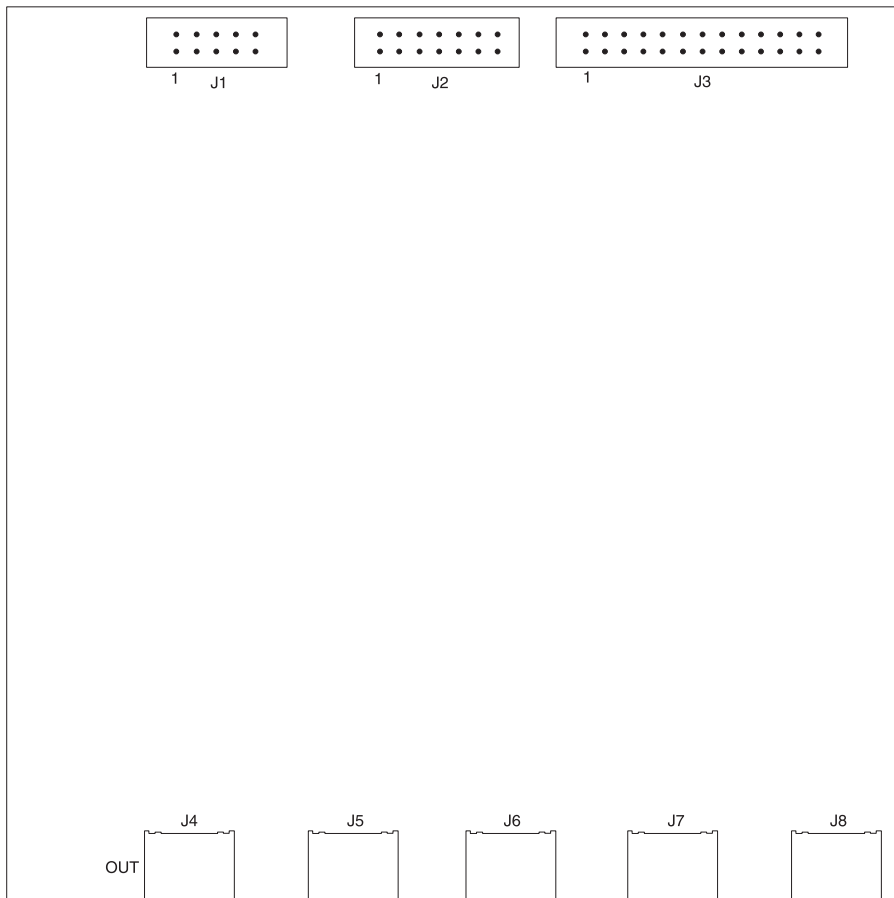
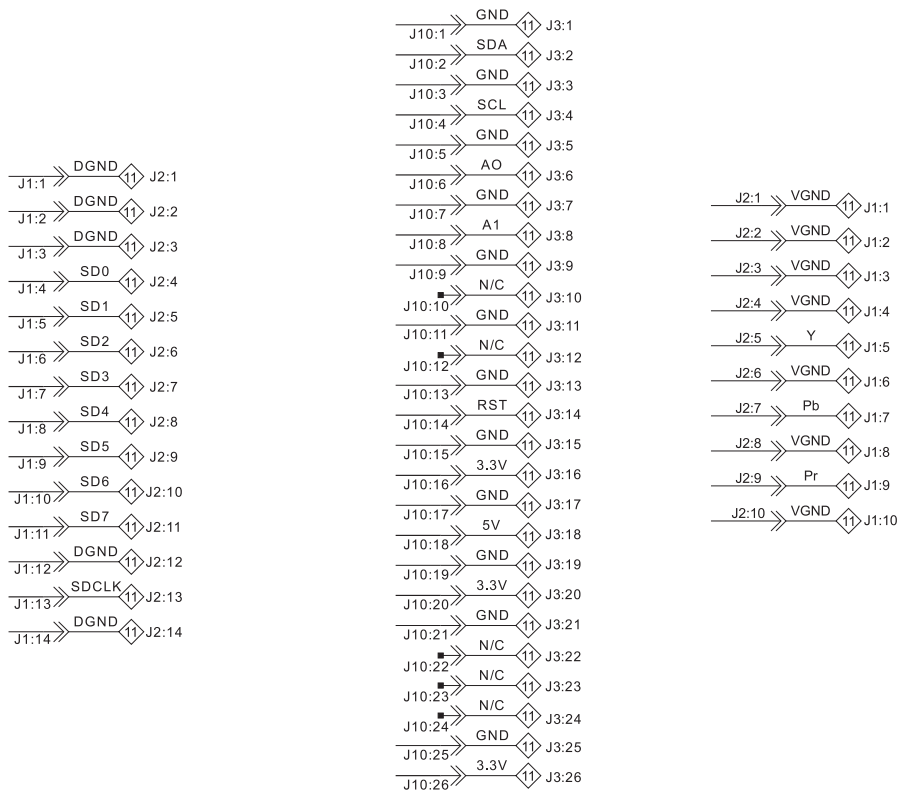




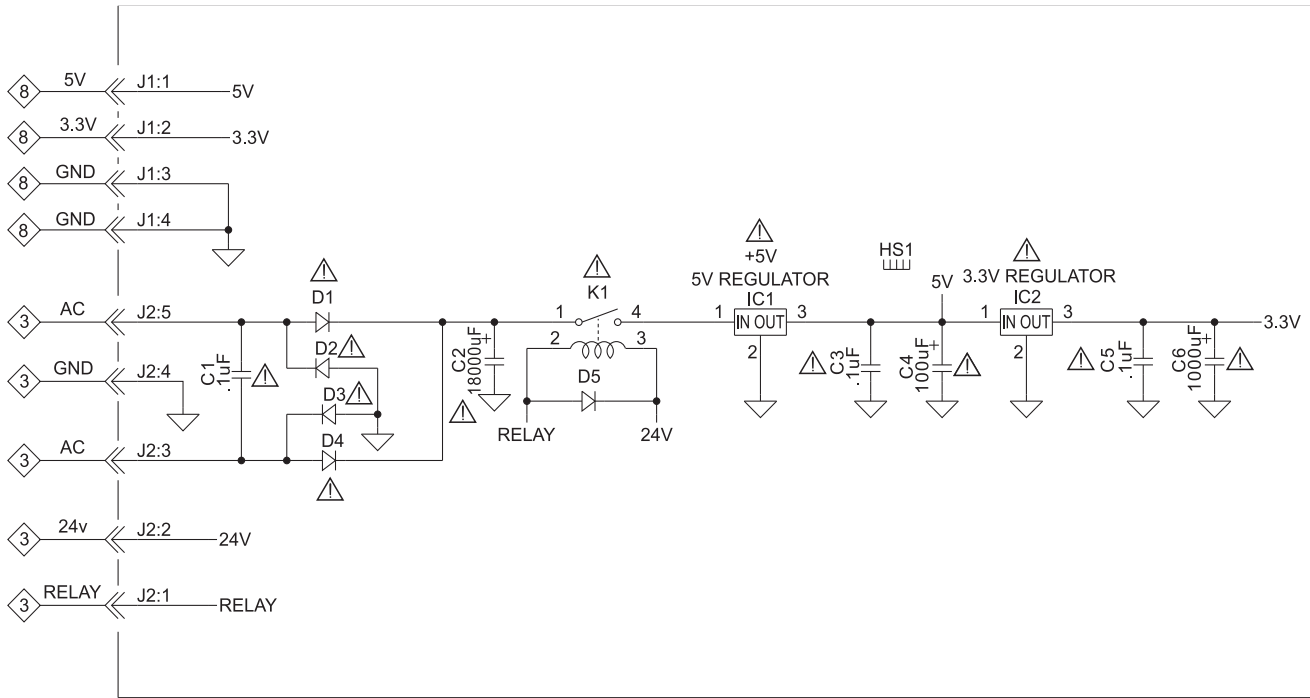
10 *BALANCED* 750567 PCB



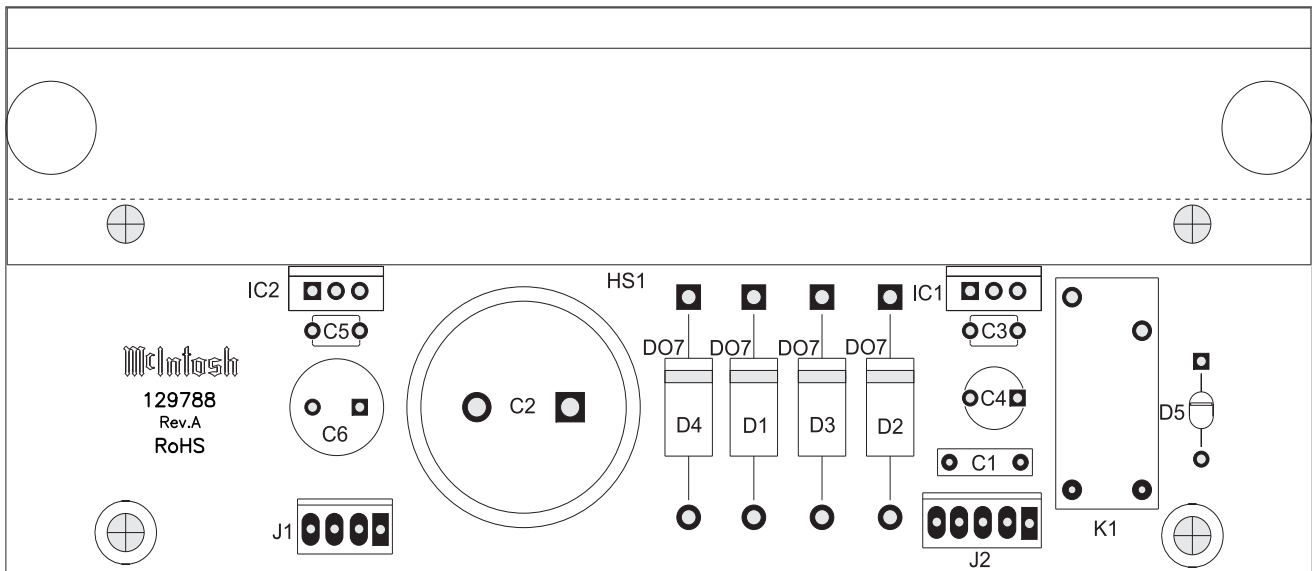
11 HDMI MODULE 750623



12 HDMI POWER SUPPLY 750599



WARNING Parts marked with a triangle and exclamation mark have critical characteristics. Use only replacement parts recommended by the manufacturer.



PARTS LIST

1 INTERCONNECT		Part No.	Ref. No. Description	Part No.
F1	FUSE, 5 X 20 .80A IEC SLO-BLO	089141	IC4 IC OCTAL D TYPE FLIP FLOP	133603
TB1	AC TERMINAL BLOCK	074091	IC5 IC QUAD ANALOG SWITCH HI SPEED	133342
T1	POWER TRANSFORMER	159340	IC6 IC OCTAL BUFFER 3-STATE	133349
			(IC6) SOCKET IC 20 PIN	178181
			IC7 IC OCTAL BUFFER 3-STATE	133349
			(IC7) SOCKET IC 20 PIN	178181
			IC10 IC QUAD ANALOG SWITCH HI SPEED	133342
			IC11 IC SRAM	133659
			(IC11) SOCKET IC 28 PIN	178126
			IC13 IC OCT 3-STT NONINVERTING	133654
			IC14 IC PROG MX136 V1.1.10 133665	133653
			(IC14) SOCKET IC 32 PIN	178165
			IC15 IC MICRO ROMLESS	133386
			(IC15) SOCKET IC 40-PIN	178133
			IC17 IC QUAD ANALOG SWITCH HI SPEED	133342
			IC20 IC PROG DISPLAY CONTROL 133660	133662
			(IC20) IC SOCKET 84 PIN PLCC	178185
			IC30 IC NAND SCHMIT 2-IN X 4	133595
			IC31 IC NAND SCHMIT 2-IN X 4	133595
			IC32 IC NAND SCHMIT 2-IN X 4	133595
			IC50 IC 8 BIT A/D SERIAL OUTPUT	133366
			IC75 IC CPU SUPERVISOR	133639
			J1 CONN MALE 10 POS	117219
			J3 CONN MALE 7 PIN	117217
			J5 CONN 10 PIN BOXED HEADER	117795
			J8 CONN MALE 10 POS	117219
			J10 CONN MALE 10 POS	117219
			J11 CONN 18 PIN FFC	117908
			J19 CONN MALE 10 POS	117219
			J21 CONN 9 PIN FEMALE	117932
			J25 CONN MALE 7 PIN	117217
			J26 CONN 4 PIN	117215
			PCB1 PC BD DISPLAY	129814
			Q1 TRANSISTOR NPN SILICON	132317
			Q2 TRANSISTOR PNP SILICON	132304
			Q50 TRANSISTOR NPN SILICON	132317
			R1 RES MF 47.5K 1% 1/4W	144526
			R5 RES NETWORK 8 X 330 ISO	144679
			R6 RES MF 3.32K 1% 1/4W	144518
			R8 RES MF 10 OHM 1% 1/4W	144553
			R9 RES NETWORK 2 X 22K ISO	144689
			R10 RES NETWORK 5 X 47K BUSSED	144499
			R12 RES NETWORK 9 X 47K BUSSED	144673
			R13 RES NETWORK 9 X 47K BUSSED	144673
			R14 RES NETWORK 9 X 47K BUSSED	144673
			R18 RES MF 100 OHM 1% 1/4W	144568
			R19 RES MF 47.5 OHM 1% 1/4W	144642
			R20 RES MF 100 OHM 1% 1/4W	144568
			R21 RES MF 182 OHM 1% 1/4W	144579
			R22 RES MF 182 OHM 1% 1/4W	144579
			R23 RES MF 47.5 OHM 1% 1/4W	144642
			R24 RES NETWORK 2 X 22K ISO	144689
			R25 RES FP 47 OHM 5% 1/4W	137106
			R26 RES NETWORK 2 X 22K ISO	144689
			R27 RES NETWORK 2 X 22K ISO	144689
			R28 RES NETWORK 2 X 22K ISO	144689
			R29 RES NETWORK 2 X 22K ISO	144689
			R30 RES MF 10 OHM 1% 1/4W	144553
			R31 RES MF 4.99K 1% 1/4W	144521
			R32 RES MF 100 OHM 1% 1/4W	144568
			R45 RES NETWORK 2 X 22K ISO	144689
			R50 RES NETWORK 9 X 1K ISO	144685
			R51 RES NETWORK 9 X 1K ISO	144685
			R52 RES NETWORK 9 X 1K ISO	144685

PARTS LIST *Cont'd.*

Ref. No.	Description	Part No.
R83	RES FP 10 OHM 5% 1/4W	137105
R100	RES MF 10K 1% 1/4W	144504
R101	RES MF 10K 1% 1/4W	144504
R102	RES NETWORK 4 X 22K BUSSED	144668
R105	RES MF 10K 1% 1/4W	144504
R131	RES NET 10K X 8 RES BUSSED	144675
R150	RES NETWORK 4 X 1K ISOLATED	144500
R151	RES NETWORK 4 X 1K ISOLATED	144500
R170	RES MF 4.99K 1% 1/4W	144521
R171	RES MF 4.99K 1% 1/4W	144521
R200	RES NETWORK 2 X 22K ISO	144689
R201	RES MF 47.5K 1% 1/4W	144526
R202	RES NETWORK 2 X 22K ISO	144689
R203	RES NETWORK 2 X 22K ISO	144689
R204	RES NETWORK 2 X 22K ISO	144689
R205	RES NETWORK 2 X 22K ISO	144689
R206	RES NETWORK 2 X 22K ISO	144689
R300	RES MF 47.5K 1% 1/4W	144526
S20	SWITCH ROT ENCODER 24 DETENT	146255
S21	SWITCH ROT ENCODER 24 DETENT	146255
S22	SWITCH ROT ENCODER 24 DETENT	146255
S23	SWITCH ROT ENCODER 24 DETENT	146255
S24	SWITCH ROT ENCODER 24 DETENT	146255
S25	SWITCH ROT ENCODER NO DETENT	146256
TEST1	CONN MALE 5 PIN 0.1 POST ASSY	117216
U3	IC PROGRAMMED 133336 IR MICRO	133545
(U3)	SOCKET IC 20 PIN	178181
Y1	CRYSTAL 11.0592MHZ	180051
	SPACER SNAP-IN PLASTIC .156	017693
	TAPE MTG DBL COATED 1/8 THK	094332

2B LED PCB 750569

C11	CAP MONO 1000PF 50V 10% NPO	061344
C12	CAP MONO .1UF 50V 20% Z5U	061346
C16	CAP MONO .1UF 50V 20% Z5U	061346
C17	CAP MONO 1000PF 50V 10% NPO	061344
C19	CAP ELECT 47UF 35V	066446
C20	CAP ELECT 47UF 35V	066446
DS2	LED SQUARE RED	058109
DS3	LED SQUARE RED	058109
DS4	LED SQUARE RED	058109
DS5	LED SQUARE RED	058109
DS6	LED SQUARE RED	058109
DS7	LED SQUARE RED	058109
DS8	LED SQUARE RED	058109
DS9	LED SQUARE RED	058109
DS10	LED SQUARE RED	058109
DS11	LED SQUARE RED	058109
DS12	LED SQUARE RED	058109
DS13	LED SQUARE RED	058109
DS14	LED SQUARE RED	058109
DS15	LED SQUARE RED	058109
DS16	LED SQUARE RED	058109
DS17	LED SQUARE RED	058109
DS18	LED 2 SEGMENT YELLOW BAR	058146
DS19	LED 2 SEGMENT YELLOW BAR	058146
DS20	LED 2 SEGMENT YELLOW BAR	058146
DS21	LED 2 SEGMENT YELLOW BAR	058146
DS22	LED 2 SEGMENT YELLOW BAR	058146

Ref. No.	Description	Part No.
DS23	LED 2 SEGMENT YELLOW BAR	058146
DS24	LED 2 SEGMENT YELLOW BAR	058146
DS25	LED 2 SEGMENT YELLOW BAR	058146
DS26	LED 2 SEGMENT YELLOW BAR	058146
DS27	LED 2 SEGMENT YELLOW BAR	058146
DS29	LED 2 SEGMENT YELLOW BAR	058146
DS30	LED 2 SEGMENT YELLOW BAR	058146
DS34	LED ARRAY(5) YELLOW RECTANGLE	058127
DS37	LED 2 SEGMENT YELLOW BAR	058146
DS38	LED ARRAY(5) YELLOW RECTANGLE	058127
DS40	LED 2 SEGMENT YELLOW BAR	058146
DS41	LED ARRAY(5) YELLOW RECTANGLE	058127
DS42	LED ARRAY(5) YELLOW RECTANGLE	058127
DS43	LED ARRAY(5) YELLOW RECTANGLE	058127
DS44	LED ARRAY(5) YELLOW RECTANGLE	058127
DS45	LED ARRAY(5) YELLOW RECTANGLE	058127
DS46	LED ARRAY(5) YELLOW RECTANGLE	058127
DS47	LED 2 SEGMENT YELLOW BAR	058146
DS48	LED 2 SEGMENT YELLOW BAR	058146
IC3	IC DISPLAY DRIVER 4 DIGIT LED	133663
(IC3)	SOCKET IC 40-PIN	178133
IC12	IC DISPLAY DRIVER 4 DIGIT LED	133663
(IC12)	SOCKET IC 40-PIN	178133
J20_	CONN 9 PIN MALE	117930
MOLD1	MOLD FUNCTION LED	017948
MOLD2	MOLDING FORMAT LED	017714
MOLD3	MOLDING INDICATOR LED	017715
MOLD4	MOLD FUNCTION LED	017948
MOLD5	MOLD FUNCTION LED	017948
MOLD6	MOLD FUNCTION LED	017948
MOLD7	MOLD FUNCTION LED	017948
MOLD8	MOLD FUNCTION LED	017948
MOLD9	MOLD FUNCTION LED	017948
MOLD10	MOLD FUNCTION LED	017948
MOLD11	MOLDING INDICATOR LED	017715
MOLD12	MOLDING INDICATOR LED	017715
MOLD13	MOLDING INDICATOR LED	017715
MOLD14	MOLDING FORMAT LED	017714
R15	RES MF 4.99K 1% 1/4W	144521
R18	RES MF 4.99K 1% 1/4W	144521
	PC BD LED	129781

2C KEYBOARD PCB 750568

C13	CAP MONO .1UF 50V 20% Z5U	061346
C24	CAP ELECT 47UF 35V	066446
DS11	LED SQUARE RED	058109
(DS11)	LED SPACER .220 LENGTH	163001
DS12	LED SQUARE RED	058109
(DS12)	LED SPACER .220 LENGTH	163001
DS36	LED SQUARE RED	058109
(DS36)	LED SPACER .220 LENGTH	163001
J2	CONN 18 PIN FFC	117908
R16	RES MF 100 OHM 1% 1/4W	144568
R17	RES MF 332 OHM 1% 1/4W	144646
S1	SWITCH TACT	150059
S2	SWITCH TACT	150059
S5	SWITCH TACT	150058
S7	SWITCH TACT	150058
S9	SWITCH TACT	150058
S10	SWITCH TACT	150058
S11	SWITCH TACT	150058
S12	SWITCH TACT	150058

PARTS LIST *Cont'd.*

KEYBOARD PCB 750568 Cont'd.

Ref. No.	Description	Part No.
S13	SWITCH TACT	150058
S14	SWITCH TACT	150058
S15	SWITCH TACT	150058
S17	SWITCH SLIDE DPDT	148076
S16	SWITCH TACT	150058
SENSOR	SENSOR IR 38KHZ	121046
	SHRNK TUBNG 3/8 LONG (077041)	077054
	PC BD KEYBOARD	129780

3 SURROUND PCB 750570

BRKT1	BRACKET PCB CARD MOUNTING	003611
C1	CAP ELECT 220UF 50V 20%	066254
C2	CAP ELECT 100UF 25V	066573
C3	CAP MONO .1UF 50V 20% Z5U	061346
C4	CAP MONO .1UF 50V 20% Z5U	061346
C5	CAP MONO .1UF 50V 20% Z5U	061346
C6	CAP MONO .1UF 50V 20% Z5U	061346
C7	CAP MONO .1UF 50V 20% Z5U	061346
C8	CAP MONO .1UF 50V 20% Z5U	061346
C9	CAP MONO .1UF 50V 20% Z5U	061346
C10	CAP MONO .1UF 50V 20% Z5U	061346
C11	CAP MONO .1UF 50V 20% Z5U	061346
C12	CAP MONO .1UF 50V 20% Z5U	061346
C13	CAP MONO .1UF 50V 20% Z5U	061346
C14	CAP MONO .1UF 50V 20% Z5U	061346
C15	CAP MONO .1UF 50V 20% Z5U	061346
C16	CAP MONO 22PF 200V 10% NPO	061339
C18	CAP MONO .1UF 50V 20% Z5U	061346
C19	CAP MONO .1UF 50V 20% Z5U	061346
C20	CAP MONO .1UF 50V 20% Z5U	061346
C21	CAP MONO .1UF 50V 20% Z5U	061346
C22	CAP MONO .1UF 50V 20% Z5U	061346
C23	CAP MONO .1UF 50V 20% Z5U	061346
C24	CAP MONO .1UF 50V 20% Z5U	061346
C25	CAP MONO .1UF 50V 20% Z5U	061346
C26	CAP MONO .1UF 50V 20% Z5U	061346
C27	CAP MONO .1UF 50V 20% Z5U	061346
C28	CAP MONO .1UF 50V 20% Z5U	061346
C29	CAP MONO .1UF 50V 20% Z5U	061346
C30	CAP MONO .1UF 50V 20% Z5U	061346
C32	CAP MONO .1UF 50V 20% Z5U	061346
C36	CAP MONO 22PF 200V 10% NPO	061339
C37	CAP MONO 22PF 200V 10% NPO	061339
C38	CAP MONO 22PF 200V 10% NPO	061339
C39	CAP MONO 22PF 200V 10% NPO	061339
C40	CAP MONO 22PF 200V 10% NPO	061339
C41	CAP MONO 22PF 200V 10% NPO	061339
C42	CAP MONO 22PF 200V 10% NPO	061339
C43	CAP MONO 22PF 200V 10% NPO	061339
C44	CAP MONO 22PF 200V 10% NPO	061339
C45	CAP MONO 22PF 200V 10% NPO	061339
C46	CAP MONO 22PF 200V 10% NPO	061339
C47	CAP MONO 22PF 200V 10% NPO	061339
C48	CAP MONO 22PF 200V 10% NPO	061339
C49	CAP MONO 22PF 200V 10% NPO	061339
C50	CAP MONO 22PF 200V 10% NPO	061339
C53	CAP ELECT 330UF 35V	066509
C55	CAP ELECT 330UF 35V	066509
C56	CAP ELECT 330UF 35V	066509

Ref. No.	Description	Part No.
C58	CAP ELECT 18000UF 16V	066460
C59	CAP ELECT 10UF 50V	066445
C60	CAP ELECT 10UF 50V	066445
C61	CAP ELECT 10UF 16V	066580
C62	CAP ELECT 10UF 16V	066580
C65	CAP ELECT 10UF 16V	066580
C66	CAP ELECT 10UF 16V	066580
C67	CAP ELECT 10UF 16V	066580
C68	CAP ELECT 10UF 16V	066580
C69	CAP ELECT 10UF 16V	066580
C70	CAP ELECT 10UF 16V	066580
C71	CAP ELECT 10UF 16V	066580
C72	CAP ELECT 10UF 16V	066580
C73	CAP ELECT 10UF 16V	066580
C77	CAP ELECT 10UF 16V	066580
C79	CAP ELECT 10UF 16V	066580
C80	CAP ELECT 10UF 16V	066580
C81	CAP ELECT 10UF 16V	066580
C82	CAP ELECT 10UF 16V	066580
C83	CAP ELECT 10UF 16V	066580
C84	CAP ELECT 10UF 16V	066580
C85	CAP ELECT 10UF 16V	066580
C86	CAP ELECT 10UF 16V	066580
C87	CAP ELECT 10UF 16V	066580
C88	CAP ELECT 10UF 16V	066580
C89	CAP ELECT 10UF 16V	066580
C94	CAP ELECT 10UF 16V	066580
C95	CAP ELECT 10UF 16V	066580
C96	CAP ELECT 10UF 16V	066580
C97	CAP ELECT 10UF 16V	066580
C98	CAP MONO 100PF 100V 10% NPO	061341
C99	CAP MONO 100PF 100V 10% NPO	061341
C100	CAP ELECT 10UF 16V	066580
C101	CAP ELECT 10UF 16V	066580
C102	CAP ELECT 10UF 16V	066580
C103	CAP ELECT 10UF 16V	066580
C104	CAP ELECT 10UF 16V	066580
C105	CAP ELECT 10UF 16V	066580
C106	CAP ELECT 10UF 16V	066580
C107	CAP ELECT 10UF 16V	066580
C110	CAP MONO .1UF 50V 20% Z5U	061346
C111	CAP MONO .1UF 50V 20% Z5U	061346
C113	CAP MONO .1UF 50V 20% Z5U	061346
C114	CAP MONO .1UF 50V 20% Z5U	061346
C115	CAP MONO .1UF 50V 20% Z5U	061346
C116	CAP MONO .1UF 50V 20% Z5U	061346
C119	CAP MONO .1UF 50V 20% Z5U	061346
C120	CAP MONO .1UF 50V 20% Z5U	061346
C121	CAP MPF 0.0022UF 5% 63VDC	064454
C128	CAP ELECT 1000UF 25V	066513
C129	CAP MONO .1UF 50V 20% Z5U	061346
C130	CAP MONO .1UF 50V 20% Z5U	061346
C131	CAP MONO .1UF 50V 20% Z5U	061346
C132	CAP MPF 0.0022UF 5% 63VDC	064454
C133	CAP MONO .1UF 50V 20% Z5U	061346
C134	CAP MONO .1UF 50V 20% Z5U	061346
C135	CAP MPF 0.0022UF 5% 63VDC	064454
C137	CAP MPF 0.1UF 5% 63VDC	064325
C138	CAP MPF 0.047UF 5% 63VDC	064320
C139	CAP MPF 0.047UF 5% 63VDC	064320
C140	CAP MPF 0.1UF 5% 63VDC	064325
C141	CAP MPF 0.047UF 5% 63VDC	064320
C142	CAP MPF 0.047UF 5% 63VDC	064320

PARTS LIST *Cont'd.*

SURROUND PCB 750570 Cont'd.

Ref. No.	Description	Part No.	Ref. No.	Description	Part No.
C143	CAP MPF 0.047UF 5% 63VDC	064320	C262	CAP ELECT 10UF 16V	066580
C144	CAP MPF 0.047UF 5% 63VDC	064320	C263	CAP ELECT 10UF 16V	066580
C151	CAP MONO .1UF 50V 20% Z5U	061346	C264	CAP ELECT 10UF 16V	066580
C153	CAP MONO 22PF 200V 10% NPO	061339	C265	CAP ELECT 10UF 16V	066580
C154	CAP MONO 100PF 100V 10% NPO	061341	C280	CAP MONO .1UF 50V 20% Z5U	061346
C155	CAP MONO 22PF 200V 10% NPO	061339	C281	CAP MONO .1UF 50V 20% Z5U	061346
C156	CAP MONO 22PF 200V 10% NPO	061339	C282	CAP MONO .1UF 50V 20% Z5U	061346
C157	CAP MONO 22PF 200V 10% NPO	061339	C284	CAP MONO .1UF 50V 20% Z5U	061346
C158	CAP MONO 22PF 200V 10% NPO	061339	C285	CAP MONO .1UF 50V 20% Z5U	061346
C159	CAP MONO 22PF 200V 10% NPO	061339	C286	CAP MONO .1UF 50V 20% Z5U	061346
C160	CAP MONO 22PF 200V 10% NPO	061339	C287	CAP MONO .1UF 50V 20% Z5U	061346
C161	CAP MONO 22PF 200V 10% NPO	061339	C288	CAP MONO .1UF 50V 20% Z5U	061346
C162	CAP MONO 100PF 100V 10% NPO	061341	C289	CAP MONO .1UF 50V 20% Z5U	061346
C167	CAP MONO 22PF 200V 10% NPO	061339	C290	CAP MONO .1UF 50V 20% Z5U	061346
C168	CAP MONO 100PF 100V 10% NPO	061341	C291	CAP ELECT 1000UF 25V	066513
C169	CAP MONO 22PF 200V 10% NPO	061339	C300	CAP MONO .1UF 50V 20% Z5U	061346
C170	CAP ELECT 100UF 25V	066573	C335	CAP ELECT 10UF 16V	066580
C171	CAP ELECT 100UF 25V	066573	C336	CAP ELECT 10UF 16V	066580
C172	CAP ELECT 100UF 25V	066573	C337	CAP ELECT 10UF 16V	066580
C174	CAP ELECT 100UF 25V	066573	C338	CAP ELECT 10UF 16V	066580
C175	CAP ELECT 1000UF 25V	066513	C340	CAP ELECT 47UF 50V	066215
C178	CAP MPF 0.1UF 100V	064338	C341	CAP MONO 1000PF 50V 10% NPO	061344
C180	CAP MONO 47PF 200V 10% NPO	061340	C342	CAP MONO 1000PF 50V 10% NPO	061344
C181	CAP MONO 47PF 200V 10% NPO	061340	C343	CAP MONO 1000PF 50V 10% NPO	061344
C182	CAP MONO 47PF 200V 10% NPO	061340	C344	CAP MONO 1000PF 50V 10% NPO	061344
C183	CAP MONO 47PF 200V 10% NPO	061340	C350	CAP ELECT 22UF 100V	066574
C184	CAP MONO 47PF 200V 10% NPO	061340	C351	CAP ELECT 47UF 50V	066215
C185	CAP MONO 47PF 200V 10% NPO	061340	C390	CAP ELECT 470UF 50V	066469
C186	CAP MPF 0.1UF 100V	064338	C393	CAP MONO .1UF 50V 20% Z5U	061346
C188	CAP MPF 1UF 5% 63VDC	064337	C394	CAP MONO .1UF 50V 20% Z5U	061346
C189	CAP MPF 1UF 5% 63VDC	064337	C395	CAP MONO 220PF 200V 10% NPO	061342
C192	CAP MPF 1UF 5% 63VDC	064337	C396	CAP MONO .1UF 50V 20% Z5U	061346
C193	CAP MPF 1UF 5% 63VDC	064337	C397	CAP MONO 220PF 200V 10% NPO	061342
C194	CAP ELECT 470UF 50V	066469	C398	CAP MONO .1UF 50V 20% Z5U	061346
C195	CAP ELECT 470UF 50V	066469	C399	CAP MONO .1UF 50V 20% Z5U	061346
C196	CAP MONO 22PF 200V 10% NPO	061339	C450	CAP ELECT 10UF 16V	066580
C197	CAP MONO 22PF 200V 10% NPO	061339	D1	DIODE ZENER 33V 5% 1/2W	070182
C198	CAP MONO 22PF 200V 10% NPO	061339	D2	DIODE ZENER 5.1V	070186
C199	CAP MONO 22PF 200V 10% NPO	061339	D3	DIODE ZENER 6.2V 5% 500MW	070184
C200	CAP ELECT 10UF 16V	066580	D5	DIODE SILICON	070174
C201	CAP MONO 22PF 200V 10% NPO	061339	D6	DIODE SILICON	070174
C202	CAP MONO 47PF 200V 10% NPO	061340	D7	DIODE SILICON	070174
C203	CAP ELECT 10UF 16V	066580	D8	DIODE SILICON	070174
C204	CAP MONO 22PF 200V 10% NPO	061339	D9	DIODE SILICON	070174
C205	CAP MONO 22PF 200V 10% NPO	061339	D10	DIODE SILICON	070174
C206	CAP MONO 1000PF 50V 10% NPO	061344	D11	DIODE SILICON	070174
C215	CAP ELECT 10UF 16V	066580	D19	DIODE SILICON	070174
C220	CAP ELECT 10UF 16V	066580	D27	DIODE RECTIFIER	070175
C221	CAP ELECT 10UF 16V	066580	D28	DIODE RECTIFIER	070175
C236	CAP MONO .1UF 50V 20% Z5U	061346	D29	DIODE RECT SI 3A 100V	070176
C250	CAP MONO 22PF 200V 10% NPO	061339	D30	DIODE RECT SI 3A 100V	070176
C251	CAP MONO 47PF 200V 10% NPO	061340	D31	DIODE RECT SI 3A 100V	070176
C254	CAP MONO .1UF 50V 20% Z5U	061346	D32	DIODE RECT SI 3A 100V	070176
C255	CAP MONO .1UF 50V 20% Z5U	061346	D34	DIODE RECTIFIER	070175
C256	CAP ELECT 10UF 16V	066580	D35	DIODE RECTIFIER	070175
C257	CAP ELECT 10UF 16V	066580	D36	DIODE RECTIFIER	070175
C258	CAP MONO 22PF 200V 10% NPO	061339	D37	DIODE RECTIFIER	070175
C259	CAP MONO 22PF 200V 10% NPO	061339	D40	DIODE RECTIFIER	070175
C260	CAP MONO 22PF 200V 10% NPO	061339	D41	DIODE RECTIFIER	070175
C261	CAP MONO 22PF 200V 10% NPO	061339	D100	DIODE RECTIFIER	070175
			D101	DIODE RECTIFIER	070175
			F1	FUSE 3.15A SLO-BLO 5X20 IEC	089130
			(F1)	HOLDER FUSE 5X20MM PCB MOUNT	178159
			F2	FUSE 3.15A SLO-BLO 5X20 IEC	089130

PARTS LIST *Cont'd.*

SURROUND PCB 750570 Cont'd.

Ref. No.	Description	Part No.
(F2)	HOLDER FUSE 5X20MM PCB MOUNT	178159
F3	FUSE 0.5A SLO-BLO 5X20 IEC	089126
(F3)	HOLDER FUSE 5X20MM PCB MOUNT	178159
HS1	HEATSINK TO-220	080023
(HS1)	INSULATOR ISOSTRATE TO 220	084133
IC1	IC VOLUME CONTROL	133583
IC3	IC QUAD OPERATIONAL AMPLIFIER	133596
IC4	IC REGULATOR 3.3V LOW DROPOUT	133630
IC4	HEATSINK TO-218	080020
(IC4)	INSULATOR ISOSTRATE TO 220	084133
IC5	IC VOLUME CONTROL	133583
IC6	IC VOLUME CONTROL	133583
IC7	IC VOLUME CONTROL	133583
IC8	IC VOLUME CONTROL	133583
IC9	IC VOLUME CONTROL	133583
IC10	IC VOLUME CONTROL	133583
IC11	IC VOLUME CONTROL	133583
IC16	IC VOLUME CONTROL	133583
IC17	IC VOLUME CONTROL	133583
IC18	IC OCTAL D TYPE FLIP FLOP	133603
IC19	IC OCTAL D TYPE FLIP FLOP	133603
IC20	IC VOLUME CONTROL	133583
IC21	IC VOLUME CONTROL	133583
IC22	IC VOLUME CONTROL	133583
IC23	IC VOLUME CONTROL	133583
IC24	IC VOLUME CONTROL	133583
IC25	IC QUAD OPERATIONAL AMPLIFIER	133596
IC26	IC QUAD OPERATIONAL AMPLIFIER	133596
IC27	IC QUAD OPERATIONAL AMPLIFIER	133596
IC28	IC QUAD OPERATIONAL AMPLIFIER	133596
IC30	IC RS232 DRIVER LINE	133561
IC31	IC REGULATOR +12V	133571
IC32	IC REGULATOR 24V NEG	133600
IC33	IC REGULATOR +15V	133587
IC33	HEATSINK TO-218	080020
(IC33)	INSULATOR ISOSTRATE TO 220	084133
IC34	IC VOLTAGE REGULATOR -15V	133566
IC34	HEATSINK TO-218	080020
(IC34)	INSULATOR ISOSTRATE TO 220	084133
IC35	IC MONOSTB MULTIVIB X 2	133593
IC36	IC REGULATOR +5V	133569
IC36	HEATSINK TO-218	080020
(IC36)	INSULATOR ISOSTRATE TO 220	084133
IC37	IC 5V 1.5A REGULATOR LOW DROP	133610
(IC37)	INSULATOR ISOSTRATE TO 220	084133
IC38	COUPLER OPTICAL SCHMITT OUTPUT	131030
IC40	IC BIFET OP AMP	133560
IC41	IC BIFET OP AMP	133560
IC42	IC BIFET OP AMP	133560
IC44	IC BIFET OP AMP	133560
IC45	IC BIFET OP AMP	133560
IC46	IC BIFET OP AMP	133560
IC48	IC 2 INPUT X 4	133591
IC49	IC 2 INPUT X 4	133591
IC51	IC 2 INPUT X 4	133591
IC52	IC 2 INPUT X 4	133591
IC55	IC QUAD OPERATIONAL AMPLIFIER	133596
IC56	IC QUAD OPERATIONAL AMPLIFIER	133596
IC59	COUPLER OPTICAL SCHMITT OUTPUT	131030

Ref. No.	Description	Part No.
IC66	IC SPST QUAD FET SWITCHES N O	133580
IC69	IC OPERATIONAL AMPLIFIER	133626
IC70	IC OCTAL DAR TRNS ARRY W/DIODE	133624
IC71	IC SPST QUAD FET SWITCHES N O	133580
IC73	IC QUAD OPERATIONAL AMPLIFIER	133596
IC80	IC 5V 1.5A REGULATOR LOW DROP	133610
(IC80)	INSULATOR ISOSTRATE TO 220	084133
IC91	IC VOLUME CONTROL	133583
IC92	IC VOLUME CONTROL	133583
IC93	IC BIFET OP AMP	133560
IC94	IC BIFET OP AMP	133560
IC150	IC HEX INVERTER	133193
J1	CONN MALE 10 POS	117219
J2	CONN 12 PIN FFC	117907
J3	CONN 12 PIN FFC	117907
J4	CONN MALE 5 PIN 0.1 POST ASSY	117216
J6	CONN MALE 9 POS FRICTION LOCK	117244
J7	CONN MALE 5 PIN 0.1 POST ASSY	117216
J8	CONN MALE 10 POS	117219
J9	CONN 25 PIN MALE WITH GND TABS	117959
J10	CONN MALE 10 POS	117219
J15	CONN MALE 9 POS FRICTION LOCK	117244
J16	CONN MALE 10 POS	117219
J19	CONN MALE 10 POS	117219
J20	CONN 4 PIN	117215
J20	CONN 9 PIN SUB D	117902
J21	JACK HEADPHONE DUAL BLACK 1/8	117549
J22	BLADE FASTON W/FEET	117708
J23	BLADE FASTON W/FEET	117708
J24	BLADE FASTON W/FEET	117708
J26	BLADE FASTON W/FEET	117708
J27	BLADE FASTON W/FEET	117708
J28	BLADE FASTON W/FEET	117708
J29	BLADE FASTON W/FEET	117708
J30	BLADE FASTON W/FEET	117708
J31	CONN 4 PIN	117215
J32	CONN 12 PIN FFC	117907
J33	JACK HEADPHONE DUAL BLACK 1/8	117549
J34	JACK HEADPHONE DUAL BLACK 1/8	117549
J40	JACK RCA 4X2 WHT/RED 14MM	117791
J41	JACK RCA 4X2 WHT/RED 14MM	117791
J45	JACK RJ45	117898
J46	JACK RJ45	117898
J93	JACK RCA 1X2 WHT/RED 14MM	117788
K4	RELAY REED FORM 1A 5V 500 OHMS	087050
K5	RELAY REED FORM 1A 5V 500 OHMS	087050
K6	RELAY REED FORM 1A 5V 500 OHMS	087050
K7	RELAY REED FORM 1A 5V 500 OHMS	087050
K8	RELAY REED FORM 1A 5V 500 OHMS	087050
K9	RELAY REED FORM 1A 5V 500 OHMS	087050
K10	RELAY REED FORM 1A 5V 500 OHMS	087050
K11	RELAY REED FORM 1A 5V 500 OHMS	087050
K12	RELAY POWER TV5 24V	087069
K13	RELAY 24VDC 5A 277VAC	087057
K15	RELAY REED FORM 1A 5V 500 OHMS	087050
K20	RELAY REED FORM 1A 5V 500 OHMS	087050
K21	RELAY REED FORM 1A 5V 500 OHMS	087050
L10	BEADS FERRITE LEADED	076023
L11	BEADS FERRITE LEADED	076023
L12	BEADS FERRITE LEADED	076023
L17	BEADS FERRITE LEADED	076023
P1	SOCKET STRIP .025 SQ 20 PIN	117642
P3	SOCKET STRIP .025 SQ 20 PIN	117642

PARTS LIST *Cont'd.*

SURROUND PCB 750570 Cont'd.

Ref. No.	Description	Part No.
P6	SOCKET STRIP .025 SQ 20 PIN	117642
PCB1	PC BD SURROUND	129782
Q3	TRANSISTOR NPN SILICON	132317
Q4	IC VOLTAGE REGULATOR -5.2V	133567
Q4	HEATSINK TO-218	080020
Q9	TRANSISTOR NPN SILICON	132317
Q10	TRANSISTOR NPN DAR	132303
Q11	TRANSISTOR NPN SILICON	132317
(Q4)	INSULATOR ISOSTRATE TO 220	084133
R1	RES MF 1.1K 1% 1/4W	144514
R2	RES MF 20K 1% 1/4W	144524
R3	RES WW 100 OHM 10% 2W BWH	139134
R4	RES MF 8.25K 1% 1/4W	144549
R5	RES FP 1.1 OHM 5% 1/4W	137002
R6	RES MF 20K 1% 1/4W	144524
R7	RES MF 10K 1% 1/4W	144504
R8	RES NETWORK 2 X 100 OHM ISO	144680
R9	RES MF 100 OHM 1% 1/4W	144568
R10	RES MF 75 OHM 1% 1/4W	144644
R11	RES NETWORK 2 X 100 OHM ISO	144680
R12	RES 1.37K 1% 1/4W	144515
R14	RES 1.37K 1% 1/4W	144515
R15	RES 1.37K 1% 1/4W	144515
R16	RES 1.37K 1% 1/4W	144515
R17	RES MF 1.65K 1% 1/4W	144516
R22	RES NETWORK 470K X 6	144690
R23	RES NETWORK 4 X 1K ISOLATED	144500
R25	RES NETWORK 4 X 1K ISOLATED	144500
R27	RES MF 1.1K 1% 1/4W	144514
R28	RES POLY SWITCH RXE030	144670
R29	RES POLY SWITCH RXE030	144670
R30	RES MF 10K 1% 1/4W	144504
R31	RES MF 1.21K 1% 1/4W	144566
R39	RES MF 100K 1% 1/4W	144528
R40	RES MF 8.25K 1% 1/4W	144549
R42	RES MF 10K 1% 1/4W	144504
R43	RES NETWORK 2 X 22K ISO	144689
R44	RES NETWORK 2 X 22K ISO	144689
R45	RES MF 20K 1% 1/4W	144524
R47	RES MF 20K 1% 1/4W	144524
R48	RES MF 3.32K 1% 1/4W	144518
R50	RES MF 20K 1% 1/4W	144524
R51	RES MF 3.32K 1% 1/4W	144518
R54	RES MF 100K 1% 1/4W	144528
R55	RES NETWORK 2 X 22K ISO	144689
R57	RES MF 10K 1% 1/4W	144504
R58	RES MF 1.65K 1% 1/4W	144516
R59	RES MF 1.65K 1% 1/4W	144516
R60	RES MF 1.65K 1% 1/4W	144516
R63	RES NETWORK 2 X 100 OHM ISO	144680
R64	RES MF 10K 1% 1/4W	144504
R66	RES MF 100K 1% 1/4W	144528
R67	RES MF 3.32K 1% 1/4W	144518
R68	RES MF 20K 1% 1/4W	144524
R69	RES MF 3.32K 1% 1/4W	144518
R70	RES MF 20K 1% 1/4W	144524
R72	RES NETWORK 2 X 220K ISO	144678
R74	RES NETWORK 2 X 22K ISO	144689
R78	RES NETWORK 2 X 100 OHM ISO	144680

Ref. No.	Description	Part No.
R79	RES NETWORK 2 X 100 OHM ISO	144680
R82	RES MF 1.65K 1% 1/4W	144516
R87	RES MF 10K 1% 1/4W	144504
R88	RES MF 8.25K 1% 1/4W	144549
R89	RES MF 20K 1% 1/4W	144524
R90	RES MF 8.25K 1% 1/4W	144549
R91	RES MF 20K 1% 1/4W	144524
R115	RES MF 100K 1% 1/4W	144528
R116	RES MF 3.32K 1% 1/4W	144518
R117	RES MF 20K 1% 1/4W	144524
R118	RES MF 3.32K 1% 1/4W	144518
R119	RES MF 100K 1% 1/4W	144528
R120	RES MF 10K 1% 1/4W	144504
R121	RES MF 10K 1% 1/4W	144504
R122	RES MF 8.25K 1% 1/4W	144549
R123	RES MF 20K 1% 1/4W	144524
R125	RES MF 20K 1% 1/4W	144524
R126	RES MF 20K 1% 1/4W	144524
R127	RES MF 3.32K 1% 1/4W	144518
R128	RES MF 20K 1% 1/4W	144524
R129	RES MF 3.32K 1% 1/4W	144518
R131	RES MF 10K 1% 1/4W	144504
R133	RES NETWORK 2 X 22K ISO	144689
R135	RES NETWORK 2 X 22K ISO	144689
R137	RES NETWORK 2 X 22K ISO	144689
R138	RES NETWORK 2 X 22K ISO	144689
R141	RES NETWORK 2 X 22K ISO	144689
R146	RES MF 100K 1% 1/4W	144528
R152	RES NETWORK 2 X 22K ISO	144689
R158	RES MF 30.1K 1% 1/4W	144573
R159	RES MF 30.1K 1% 1/4W	144573
R161	RES MF 30.1K 1% 1/4W	144573
R167	RES MF 40.2K 1% 1/4W	144525
R168	RES MF 40.2K 1% 1/4W	144525
R165	RES MF 61.9K 1% 1/4W	144596
R170	RES MF 61.9K 1% 1/4W	144596
R171	RES MF 4.02K 1% 1/4W	144519
R172	RES MF 1.65K 1% 1/4W	144516
R173	RES MF 2.67K 1% 1/4W	144534
R124	RES MF 8.25K 1% 1/4W	144549
R174	RES MF 1.65K 1% 1/4W	144516
R175	RES MF 221 OHM 1% 1/4W	144559
R176	RES MF 1.1K 1% 1/4W	144514
R177	RES MF 27.4K 1% 1/4W	144545
R178	RES MF 20K 1% 1/4W	144524
R179	RES MF 35.7K 1% 1/4W	144368
R183	RES MF 35.7K 1% 1/4W	144368
R184	RES MF 20K 1% 1/4W	144524
R185	RES MF 27.4K 1% 1/4W	144545
R189	RES MF 221 OHM 1% 1/4W	144559
R190	RES MF 100K 1% 1/4W	144528
R191	RES MF 100K 1% 1/4W	144528
R192	RES MF 100K 1% 1/4W	144528
R193	RES NETWORK 2 X 22K ISO	144689
R196	RES NETWORK 2 X 22K ISO	144689
R201	RES MF 10 OHM 1% 1/4W	144553
R203	RES MF 100K 1% 1/4W	144528
R204	RES MF 100K 1% 1/4W	144528
R205	RES MF 100K 1% 1/4W	144528
R206	RES MF 100K 1% 1/4W	144528
R207	RES MF 100K 1% 1/4W	144528
R208	RES MF 100K 1% 1/4W	144528
R209	RES MF 100K 1% 1/4W	144528

PARTS LIST *Cont'd.*

SURROUND PCB 750570 Cont'd.

Ref. No.	Description	Part No.
R210	RES MF 100K 1% 1/4W	144528
R211	RES MF 100K 1% 1/4W	144528
R212	RES MF 100K 1% 1/4W	144528
R213	RES MF 1.65K 1% 1/4W	144516
R214	RES MF 5.62K OHM 1% 1/4W	144647
R215	RES MF 1.65K 1% 1/4W	144516
R216	RES MF 1.65K 1% 1/4W	144516
R217	RES MF 1.65K 1% 1/4W	144516
R218	RES MF 1.65K 1% 1/4W	144516
R219	RES MF 1.65K 1% 1/4W	144516
R220	RES MF 1.65K 1% 1/4W	144516
R221	RES MF 1.65K 1% 1/4W	144516
R222	RES MF 1.65K 1% 1/4W	144516
R223	RES MF 5.62K OHM 1% 1/4W	144647
R224	RES 1.37K 1% 1/4W	144515
R225	RES 1.37K 1% 1/4W	144515
R226	RES 1.37K 1% 1/4W	144515
R227	RES 1.37K 1% 1/4W	144515
R228	RES 1.37K 1% 1/4W	144515
R229	RES 1.37K 1% 1/4W	144515
R230	RES 1.37K 1% 1/4W	144515
R231	RES 1.37K 1% 1/4W	144515
R232	RES MF 100K 1% 1/4W	144528
R233	RES MF 100K 1% 1/4W	144528
R234	RES MF 100K 1% 1/4W	144528
R235	RES 1.37K 1% 1/4W	144515
R236	RES 1.37K 1% 1/4W	144515
R237	RES 1.37K 1% 1/4W	144515
R238	RES 1.37K 1% 1/4W	144515
R239	RES NETWORK 2 X 100 OHM ISO	144680
R240	RES NETWORK 2 X 100 OHM ISO	144680
R241	RES NETWORK 2 X 100 OHM ISO	144680
R243	RES NETWORK 2 X 100 OHM ISO	144680
R244	RES NETWORK 2 X 100 OHM ISO	144680
R245	RES NETWORK 2 X 100 OHM ISO	144680
R278	RES MF 10 OHM 1% 1/4W	144553
R279	RES MF 10 OHM 1% 1/4W	144553
R280	RES MF 10 OHM 1% 1/4W	144553
R281	RES MF 10 OHM 1% 1/4W	144553
R282	RES MF 10 OHM 1% 1/4W	144553
R283	RES MF 10 OHM 1% 1/4W	144553
R299	RES MF 10K 1% 1/4W	144504
R300	RES MF 10K 1% 1/4W	144504
R313	RES MF 100K 1% 1/4W	144528
R314	RES MF 100K 1% 1/4W	144528
R315	RES MF 10 OHM 1% 1/4W	144553
R316	RES MF 100K 1% 1/4W	144528
R317	RES MF 10 OHM 1% 1/4W	144553
R318	RES MF 100K 1% 1/4W	144528
R319	RES 1.37K 1% 1/4W	144515
R320	RES 1.37K 1% 1/4W	144515
R321	RES MF 1.65K 1% 1/4W	144516
R322	RES MF 1.65K 1% 1/4W	144516
R323	RES 1.37K 1% 1/4W	144515
R324	RES 1.37K 1% 1/4W	144515
R325	RES MF 1.65K 1% 1/4W	144516
R326	RES MF 1.65K 1% 1/4W	144516
R327	RES NETWORK 2 X 22K ISO	144689
R328	RES NETWORK 2 X 22K ISO	144689

Ref. No.	Description	Part No.
R330	RES NETWORK 2 X 100 OHM ISO	144680
R340	RES FP 10 OHM 5% 1/4W	137105
R350	RES MF 10 OHM 1% 1/4W	144553
R360	RES MF 4.75K 1% 1/4W	144520
R361	RES MF 4.75K 1% 1/4W	144520
R375	RES MF 3.32K 1% 1/4W	144518
R376	RES MF 1.65K 1% 1/4W	144516
R380	RES NETWORK 2 X 100 OHM ISO	144680
R382	RES NETWORK 2 X 100 OHM ISO	144680
R384	RES NETWORK 2 X 100 OHM ISO	144680
R386	RES MF 61.9K 1% 1/4W	144596
R387	RES MF 61.9K 1% 1/4W	144596
R390	RES NETWORK 2 X 220K ISO	144678
R391	RES NETWORK 2 X 220K ISO	144678
R393	RES MF 1.1K 1% 1/4W	144514
R400	RES MF 100K 1% 1/4W	144528
R401	RES MF 100K 1% 1/4W	144528
R402	RES MF 100K 1% 1/4W	144528
R403	RES MF 100K 1% 1/4W	144528
R450	RES MF 100K 1% 1/4W	144528
S1	SWITCH SLIDE DPDT	148076
	CONN HEADER SOCKET 2X20	117799
	DECAL FUSE 3.15A SLO-BLO	126976
	WASHER SHLDR #10 BLK NYLN INS	104101
	RIVET 1/8X3/16 STEEL	108011
	SOCKET IC 20 PIN	178181
	SOCKET IC DIP 16 PIN DUAL	178182
	SCR MS 4-40 X 1/4 PH PN BLK	400121
	NUT KEP 4-40 CLR	402001
	STANDOFF 4-40 X 7/16 M/F	412084

4 DATA PCB 750562

BRKT1	BRACKET PCB CARD MOUNTING	003611
BRKT2	BRACKET PCB CARD MOUNTING	003611
BRKT3	BRACKET PCB CARD MOUNTING	003611
C1	CAP MONO .1UF 50V 20% Z5U	061346
C2	CAP MONO .1UF 50V 20% Z5U	061346
C3	CAP MONO .1UF 50V 20% Z5U	061346
C4	CAP MONO .1UF 50V 20% Z5U	061346
C5	CAP MONO .1UF 50V 20% Z5U	061346
C6	CAP MONO .1UF 50V 20% Z5U	061346
C7	CAP MONO .1UF 50V 20% Z5U	061346
C8	CAP MONO .1UF 50V 20% Z5U	061346
C9	CAP MONO 470PF 100V 10% NPO	061343
C10	CAP MPF 0.1UF 5% 63VDC	064325
C11	CAP MPF 0.1UF 5% 63VDC	064325
C12	CAP MPF 0.1UF 5% 63VDC	064325
C13	CAP MPF 0.1UF 5% 63VDC	064325
C14	CAP MONO .1UF 50V 20% Z5U	061346
C15	CAP ELECT 47UF 35V	066446
C16	CAP MONO .1UF 50V 20% Z5U	061346
C17	CAP MONO .1UF 50V 20% Z5U	061346
C18	CAP MONO .1UF 50V 20% Z5U	061346
C19	CAP MONO .1UF 50V 20% Z5U	061346
C20	CAP MONO 220PF 200V 10% NPO	061342
C21	CAP MONO .1UF 50V 20% Z5U	061346
C22	CAP ELECT 47UF 35V	066446
C23	CAP MONO .1UF 50V 20% Z5U	061346
C24	CAP ELECT 47UF 35V	066446
C25	CAP MONO .1UF 50V 20% Z5U	061346
C26	CAP ELECT 47UF 35V	066446

PARTS LIST *Cont'd.*

DATA PCB 750562 Cont'd.

Ref. No.	Description	Part No.
C27	CAP ELECT 47UF 35V	066446
C28	CAP MONO 470PF 100V 10% NPO	061343
C30	CAP MONO 220PF 200V 10% NPO	061342
C35	CAP MONO .1UF 50V 20% Z5U	061346
C40	CAP MONO 220PF 200V 10% NPO	061342
C41	CAP MONO 220PF 200V 10% NPO	061342
C36	CAP MONO .1UF 50V 20% Z5U	061346
D20	DIODE SILICON	070174
D21	DIODE SILICON	070174
	RIVET 1/8X3/16 STEEL	108011
IC1	IC 2 INPUT X 4	133591
IC2	IC 2 INPUT X 4	133591
IC3	IC NOR 2 INPUT X 4	133592
IC4	IC AND 2 INPUT X 4	133577
IC5	IC SHFT REG SER-PAR	133594
IC6	IC SHFT REG SER-PAR	133594
IC7	IC SHFT REG SER-PAR	133594
IC8	IC SHFT REG SER-PAR	133594
IC9	IC SHFT REG SER-PAR	133594
IC10	IC 8 LN DRIVER ARRAY	133180
(IC10)	IC SOCKET 18 PIN DIP	178184
IC11	IC 8 LN DRIVER ARRAY	133180
(IC11)	IC SOCKET 18 PIN DIP	178184
IC12	IC 8 LN DRIVER ARRAY	133180
(IC12)	IC SOCKET 18 PIN DIP	178184
IC23	IC LINE RECEIVER QUAD	133428
IC24	IC 2 INPUT X 4	133591
IC25	IC HEX UNBUF INVERTER	133576
IC35	IC 8 LN DRIVER ARRAY	133180
(IC35)	IC SOCKET 18 PIN DIP	178184
IC40	IC 8-INPUT SEL/MULTI	133219
J1	CONN MALE 7 PIN	117217
J2	CONN 4 PIN	117215
J3	CONN MALE 6 POS FRICTION LOCK	117218
J5_	CONN MALE 9 POS FRICTION LOCK	117244
J8	JACK MINI	117494
J9	JACK MINI	117494
J10	JACK MINI	117494
J11	JACK MINI	117494
J12	JACK MINI	117494
J13	JACK MINI	117494
J14	JACK MINI	117494
J15	JACK MINI	117494
J16	JACK MINI	117494
J17	JACK MINI	117494
J18	JACK MINI	117494
J19	JACK MINI	117494
J20	JACK MINI	117494
J21	JACK MINI	117494
J22	JACK MINI	117494
J30	CONN 4 PIN	117215
J32	CONN MALE 7 PIN	117217
J37	CONN MALE 10 POS RIGHT ANGLE	117260
J36	JACK RCA 4X1 ORANGE 14MM	117778
L1	INDUCTOR 3.9UH 5%	122400
L2	CHOKE 18UH 5%-10%	122394
L3	CHOKE 18UH 5%-10%	122394
L4	CHOKE 18UH 5%-10%	122394
L5	CHOKE 18UH 5%-10%	122394

Ref. No.	Description	Part No.
L6	CHOKE 18UH 5%-10%	122394
L7	CHOKE 18UH 5%-10%	122394
L8	CHOKE 18UH 5%-10%	122394
L9	CHOKE 18UH 5%-10%	122394
L10	CHOKE 18UH 5%-10%	122394
OPT1	FIBER OPTIC RECEIVER	058179
OPT2	FIBER OPTIC RECEIVER	058179
OPT3	FIBER OPTIC RECEIVER	058179
OPT4	TRANSMITTER FIBER OPTIC	058180
PCB1	PC BD DATA	129774
R1	RES NETWORK 5 X 100 ISO	144677
R2	RES NETWORK 5 X 100 ISO	144677
R3	RES NETWORK 5 X 100 ISO	144677
R5	RES MF 100K 1% 1/4W	144528
R6	RES MF 100K 1% 1/4W	144528
R7	RES MF 100K 1% 1/4W	144528
R8	RES MF 100K 1% 1/4W	144528
R10	RES MF 100K 1% 1/4W	144528
R11	RES MF 100K 1% 1/4W	144528
R20	RES MF 1K 1% 1/4W	144513
R30	RES MF 75 OHM 1% 1/4W	144644
R31	RES MF 75 OHM 1% 1/4W	144644
R32	RES MF 75 OHM 1% 1/4W	144644
R33	RES MF 365 OHM 1% 1/4W	144505
R34	RES MF 95.3 OHM 1% 1/4W	144572
R40	RES MF 10K 1% 1/4W	144504
R60	RES MF 100K 1% 1/4W	144528
R61	RES MF 1K 1% 1/4W	144513
R63	RES MF 100K 1% 1/4W	144528
T1	TRANSFORMER DIGITAL INTERFACE	159351
U1	IC REGULATOR 12V	133590

5 S-VIDEO PCB 750564

C3	CAP MONO .1UF 50V 20% Z5U	061346
C4	CAP MONO .1UF 50V 20% Z5U	061346
C7	CAP MONO .1UF 50V 20% Z5U	061346
C8	CAP MONO .1UF 50V 20% Z5U	061346
C9	CAP MONO .1UF 50V 20% Z5U	061346
C10	CAP MONO .1UF 50V 20% Z5U	061346
C11	CAP MONO .1UF 50V 20% Z5U	061346
C13	CAP MONO .1UF 50V 20% Z5U	061346
C14	CAP MONO .1UF 50V 20% Z5U	061346
C15	CAP MONO .1UF 50V 20% Z5U	061346
C16	CAP ELECT 10UF 50V	066445
C17	CAP ELECT 10UF 50V	066445
C21	CAP MONO .1UF 50V 20% Z5U	061346
C22	CAP MONO .1UF 50V 20% Z5U	061346
C24	CAP MONO .1UF 50V 20% Z5U	061346
C26	CAP MONO .1UF 50V 20% Z5U	061346
C29	CAP MONO .1UF 50V 20% Z5U	061346
C30	CAP MONO .1UF 50V 20% Z5U	061346
C31	CAP MONO .1UF 50V 20% Z5U	061346
C32	CAP MONO .1UF 50V 20% Z5U	061346
C34	CAP MONO .1UF 50V 20% Z5U	061346
C36	CAP MONO .1UF 50V 20% Z5U	061346
C46	CAP MONO .1UF 50V 20% Z5U	061346
C47	CAP ELECT 10UF 50V	066445
C48	CAP ELECT 10UF 50V	066445
C49	CAP ELECT 10UF 50V	066445
C50	CAP ELECT 10UF 50V	066445
C51	CAP ELECT 10UF 50V	066445

PARTS LIST *Cont'd.*

S-VIDEO PCB 750564 Cont'd.

Ref. No.	Description	Part No.
C54	CAP ELECT 10UF 50V	066445
C59	CAP MONO .1UF 50V 20% Z5U	061346
C60	CAP MONO .1UF 50V 20% Z5U	061346
C61	CAP MONO .1UF 50V 20% Z5U	061346
C68	CAP MONO .1UF 50V 20% Z5U	061346
C70	CAP MONO .1UF 50V 20% Z5U	061346
C71	CAP MONO .1UF 50V 20% Z5U	061346
C72	CAP MONO .1UF 50V 20% Z5U	061346
C73	CAP MONO .1UF 50V 20% Z5U	061346
C74	CAP ELECT 47UF 16V	066380
C75	CAP ELECT 47UF 16V	066380
C76	CAP ELECT 47UF 16V	066380
C77	CAP ELECT 47UF 16V	066380
C78	CAP ELECT 47UF 16V	066380
C79	CAP ELECT 47UF 16V	066380
C80	CAP MONO 220PF 200V 10% NPO	061342
C90	CAP ELECT 47UF 16V	066380
C91	CAP ELECT 47UF 16V	066380
D5	DIODE SIL 400 PIV @ 1.5A	070031
D6	DIODE SIL 400 PIV @ 1.5A	070031
IC1	IC SPST QUAD FET SWITCHES N O	133580
IC2	IC SPST QUAD FET SWITCHES N O	133580
IC3	IC SPST QUAD FET SWITCHES N O	133580
IC4	IC SPST QUAD FET SWITCHES N O	133580
IC5	IC SPST QUAD FET SWITCHES N O	133580
IC6	IC SPST QUAD FET SWITCHES N O	133580
IC7	IC SPST QUAD FET SWITCHES N O	133580
IC8	IC SPST QUAD FET SWITCHES N O	133580
IC9	IC SPST QUAD FET SWITCHES N O	133580
IC10	IC SPST QUAD FET SWITCHES N O	133580
IC17	IC SPST QUAD FET SWITCHES N O	133580
IC19	IC SPST QUAD FET SWITCHES N O	133580
IC20	IC SHFT REG SER-PAR	133594
IC21	IC SHFT REG SER-PAR	133594
IC22	IC SHFT REG SER-PAR	133594
IC30	IC SHFT REG SER-PAR	133594
IC31	IC SHFT REG SER-PAR	133594
J1	JACK S-VIDEO 3X1 14MM	117779
J2	JACK S-VIDEO 3X1 14MM	117779
J3	JACK S-VIDEO 3X1 14MM	117779
J4	JACK S-VIDEO 3X1 14MM	117779
J5	JACK S-VIDEO 3X1 14MM	117779
J20	CONN MALE 10 POS RIGHT ANGLE	117260
J23	CONN MALE 6 POS FRICTION LOCK	117218
J25_	CONN 4 PIN	117215
PCB1	PC BD S-VIDEO	129776
Q1	TRANSISTOR NPN SILICON	132317
R1	RES MF 75 OHM 1% 1/4W	144644
R2	RES MF 75 OHM 1% 1/4W	144644
R3	RES MF 75 OHM 1% 1/4W	144644
R4	RES MF 75 OHM 1% 1/4W	144644
R5	RES MF 75 OHM 1% 1/4W	144644
R6	RES MF 806 OHM 1% 1/4W	144512
R7	RES MF 75 OHM 1% 1/4W	144644
R8	RES MF 75 OHM 1% 1/4W	144644
R9	RES MF 75 OHM 1% 1/4W	144644
R10	RES MF 75 OHM 1% 1/4W	144644
R11	RES MF 806 OHM 1% 1/4W	144512
R12	RES MF 75 OHM 1% 1/4W	144644

Ref. No.	Description	Part No.
R13	RES MF 75 OHM 1% 1/4W	144644
R14	RES MF 75 OHM 1% 1/4W	144644
R15	RES MF 806 OHM 1% 1/4W	144512
R16	RES MF 75 OHM 1% 1/4W	144644
R17	RES MF 75 OHM 1% 1/4W	144644
R18	RES MF 75 OHM 1% 1/4W	144644
R19	RES MF 75 OHM 1% 1/4W	144644
R20	RES MF 75 OHM 1% 1/4W	144644
R21	RES MF 10K 1% 1/4W	144504
R22	RES MF 806 OHM 1% 1/4W	144512
R23	RES MF 806 OHM 1% 1/4W	144512
R24	RES MF 10K 1% 1/4W	144504
R25	RES MF 75 OHM 1% 1/4W	144644
R26	RES MF 10K 1% 1/4W	144504
R27	RES MF 806 OHM 1% 1/4W	144512
R28	RES MF 806 OHM 1% 1/4W	144512
R29	RES MF 806 OHM 1% 1/4W	144512
R30	RES MF 75 OHM 1% 1/4W	144644
R31	RES MF 10K 1% 1/4W	144504
R32	RES MF 75 OHM 1% 1/4W	144644
R33	RES MF 75 OHM 1% 1/4W	144644
R34	RES MF 10K 1% 1/4W	144504
R35	RES MF 75 OHM 1% 1/4W	144644
R36	RES MF 806 OHM 1% 1/4W	144512
R37	RES MF 806 OHM 1% 1/4W	144512
R38	RES MF 806 OHM 1% 1/4W	144512
R39	RES MF 10K 1% 1/4W	144504
R40	RES MF 806 OHM 1% 1/4W	144512
R41	RES MF 47.5K 1% 1/4W	144526
R42	RES MF 47.5K 1% 1/4W	144526
R43	RES MF 47.5K 1% 1/4W	144526
R44	RES MF 47.5K 1% 1/4W	144526
R45	RES MF 47.5K 1% 1/4W	144526
R46	RES MF 47.5K 1% 1/4W	144526
R47	RES MF 47.5K 1% 1/4W	144526
R48	RES MF 47.5K 1% 1/4W	144526
R49	RES FP 10 OHM 5% 1/4W	137105
R50	RES FP 10 OHM 5% 1/4W	137105
R51	RES FP 10 OHM 5% 1/4W	137105
R52	RES FP 10 OHM 5% 1/4W	137105
R53	RES MF 47.5K 1% 1/4W	144526
R54	RES FP 10 OHM 5% 1/4W	137105
R55	RES MF 47.5K 1% 1/4W	144526
R56	RES FP 10 OHM 5% 1/4W	137105
R57	RES MF 47.5K 1% 1/4W	144526
R58	RES MF 47.5K 1% 1/4W	144526
R59	RES MF 47.5K 1% 1/4W	144526
R60	RES MF 47.5K 1% 1/4W	144526
R61	RES MF 47.5K 1% 1/4W	144526
R62	RES MF 47.5K 1% 1/4W	144526
R63	RES MF 47.5K 1% 1/4W	144526
R64	RES MF 47.5K 1% 1/4W	144526
R67	RES FP 10 OHM 5% 1/4W	137105
R68	RES MF 75 OHM 1% 1/4W	144644
R69	RES MF 75 OHM 1% 1/4W	144644
R70	RES MF 75 OHM 1% 1/4W	144644
R71	RES MF 75 OHM 1% 1/4W	144644
R72	RES MF 75 OHM 1% 1/4W	144644
R73	RES MF 75 OHM 1% 1/4W	144644
R74	RES MF 47.5K 1% 1/4W	144526
R76	RES FP 10 OHM 5% 1/4W	137105
R77	RES MF 1K 1% 1/4W	144513
R78	RES MF 47.5K 1% 1/4W	144526

PARTS LIST *Cont'd.*

S-VIDEO PCB 750564 Cont'd.

Ref. No.	Description	Part No.
R79	RES MF 47.5K 1% 1/4W	144526
R80	RES FP 10 OHM 5% 1/4W	137105
R81	RES FP 10 OHM 5% 1/4W	137105
R82	RES MF 47.5K 1% 1/4W	144526
R83	RES MF 47.5K 1% 1/4W	144526
R84	RES MF 47.5K 1% 1/4W	144526
R85	RES FP 10 OHM 5% 1/4W	137105
R86	RES MF 10K 1% 1/4W	144504
R87	RES MF 4.99K 1% 1/4W	144521
R88	RES FP 10 OHM 5% 1/4W	137105
R89	RES MF 4.99K 1% 1/4W	144521
R90	RES MF 75 OHM 1% 1/4W	144644
R91	RES MF 75 OHM 1% 1/4W	144644
R92	RES MF 806 OHM 1% 1/4W	144512
R93	RES MF 806 OHM 1% 1/4W	144512
R94	RES MF 10K 1% 1/4W	144504
R95	RES MF 806 OHM 1% 1/4W	144512
R96	RES MF 10K 1% 1/4W	144504
R97	RES MF 806 OHM 1% 1/4W	144512
R98	RES MF 47.5K 1% 1/4W	144526
R75	RES NETWORK 2 X 22K ISO	144689
SP1	BRACKET PCB CARD MOUNTING	003611
SP2	BRACKET PCB CARD MOUNTING	003611
U13	IC 100MA I FEEDBACK AMP	133579
U14	IC 100MA I FEEDBACK AMP	133579
U15	IC 100MA I FEEDBACK AMP	133579
U16	IC 100MA I FEEDBACK AMP	133579
	RIVET 1/8X3/16 STEEL	108011

Ref. No.	Description	Part No.
C37	CAP ELECT 47UF 16V	066380
C38	CAP ELECT 47UF 16V	066380
C39	CAP ELECT 47UF 16V	066380
C40	CAP ELECT 47UF 16V	066380
C41	CAP ELECT 47UF 16V	066380
C42	CAP ELECT 47UF 16V	066380
C43	CAP ELECT 47UF 16V	066380
C44	CAP ELECT 47UF 16V	066380
C45	CAP ELECT 47UF 16V	066380
C46	CAP ELECT 47UF 16V	066380
C48	CAP MONO .1UF 50V 20% Z5U	061346
C50	CAP MONO .1UF 50V 20% Z5U	061346
C51	CAP MONO .1UF 50V 20% Z5U	061346
C55	CAP MONO .1UF 50V 20% Z5U	061346
C63	CAP ELECT 47UF 16V	066380
C64	CAP ELECT 47UF 16V	066380
C65	CAP ELECT 47UF 16V	066380
D1	DIODE SIL 400 PIV @ 1.5A	070031
D2	DIODE SIL 400 PIV @ 1.5A	070031
IC2	IC SPST QUAD FET SWITCHES N O	133580
IC3	IC SPST QUAD FET SWITCHES N O	133580
IC4	IC SPST QUAD FET SWITCHES N O	133580
IC5	IC SPST QUAD FET SWITCHES N O	133580
IC6	IC SPST QUAD FET SWITCHES N O	133580
IC7	IC SPST QUAD FET SWITCHES N O	133580
IC8	IC SHFT REG SER-PAR	133594
IC9	IC 100MA I FEEDBACK AMP	133579
IC10	IC 100MA I FEEDBACK AMP	133579
IC13	IC SHFT REG SER-PAR	133594
IC14	IC SHFT REG SER-PAR	133594
IC15	IC SHFT REG SER-PAR	133594
IC16	IC SPST QUAD FET SWITCHES N O	133580
IC17	IC SHFT REG SER-PAR	133594
IC19	IC NAND SCHMIT 2-IN X 4	133595
J1	JACK RCA 3X1 YELLOW 14MM	117777
J2	JACK RCA 3X1 YELLOW 14MM	117777
J3	JACK RCA 3X1 YELLOW 14MM	117777
J4	JACK RCA 3X1 YELLOW 14MM	117777
J5	JACK RCA 3X1 YELLOW 14MM	117777
J10	CONN 4 PIN	117215
J20	CONN MALE 12 POS ASSY	117220
PCB1	PC BD VIDEO	129775
R1	RES MF 75 OHM 1% 1/4W	144644
R2	RES MF 10K 1% 1/4W	144504
R3	RES MF 75 OHM 1% 1/4W	144644
R4	RES MF 47.5K 1% 1/4W	144526
R5	RES MF 75 OHM 1% 1/4W	144644
R8	RES MF 47.5K 1% 1/4W	144526
R9	RES MF 10K 1% 1/4W	144504
R10	RES MF 806 OHM 1% 1/4W	144512
R11	RES MF 75 OHM 1% 1/4W	144644
R12	RES MF 806 OHM 1% 1/4W	144512
R13	RES MF 75 OHM 1% 1/4W	144644
R14	RES MF 75 OHM 1% 1/4W	144644
R15	RES MF 75 OHM 1% 1/4W	144644
R16	RES MF 806 OHM 1% 1/4W	144512
R17	RES MF 75 OHM 1% 1/4W	144644
R18	RES MF 806 OHM 1% 1/4W	144512
R19	RES MF 10K 1% 1/4W	144504
R20	RES MF 75 OHM 1% 1/4W	144644
R21	RES MF 806 OHM 1% 1/4W	144512
R22	RES MF 806 OHM 1% 1/4W	144512
R23	RES MF 75 OHM 1% 1/4W	144644

6 VIDEO PCB 750563

C5	CAP ELECT 10UF 50V	066445
C6	CAP ELECT 10UF 50V	066445
C7	CAP ELECT 10UF 50V	066445
C8	CAP ELECT 10UF 50V	066445
C83	CAP MONO 220PF 200V 10% NPO	061342
C11	CAP MONO .1UF 50V 20% Z5U	061346
C12	CAP MONO .1UF 50V 20% Z5U	061346
C13	CAP MONO .1UF 50V 20% Z5U	061346
C14	CAP MONO .1UF 50V 20% Z5U	061346
C16	CAP MONO .1UF 50V 20% Z5U	061346
C17	CAP MONO .1UF 50V 20% Z5U	061346
C18	CAP MONO .1UF 50V 20% Z5U	061346
C19	CAP MONO .1UF 50V 20% Z5U	061346
C20	CAP MONO .1UF 50V 20% Z5U	061346
C21	CAP MONO .1UF 50V 20% Z5U	061346
C22	CAP MONO .1UF 50V 20% Z5U	061346
C23	CAP MONO .1UF 50V 20% Z5U	061346
C24	CAP MONO .1UF 50V 20% Z5U	061346
C25	CAP MONO .1UF 50V 20% Z5U	061346
C26	CAP MONO .1UF 50V 20% Z5U	061346
C27	CAP MONO .1UF 50V 20% Z5U	061346
C30	CAP MONO .1UF 50V 20% Z5U	061346
C31	CAP MONO .1UF 50V 20% Z5U	061346
C32	CAP MONO .1UF 50V 20% Z5U	061346
C33	CAP MONO .1UF 50V 20% Z5U	061346
C35	CAP ELECT 47UF 16V	066380
C36	CAP ELECT 47UF 16V	066380

PARTS LIST *Cont'd.*

VIDEO PCB 750563 Cont'd.

Ref. No.	Description	Part No.
R24	RES MF 806 OHM 1% 1/4W	144512
R25	RES MF 75 OHM 1% 1/4W	144644
R26	RES MF 806 OHM 1% 1/4W	144512
R27	RES MF 10K 1% 1/4W	144504
R28	RES MF 75 OHM 1% 1/4W	144644
R29	RES FP 10 OHM 5% 1/4W	137105
R30	RES MF 47.5K 1% 1/4W	144526
R31	RES MF 47.5K 1% 1/4W	144526
R32	RES FP 10 OHM 5% 1/4W	137105
R33	RES FP 10 OHM 5% 1/4W	137105
R34	RES FP 10 OHM 5% 1/4W	137105
R35	RES FP 10 OHM 5% 1/4W	137105
R36	RES MF 47.5K 1% 1/4W	144526
R37	RES MF 47.5K 1% 1/4W	144526
R38	RES MF 47.5K 1% 1/4W	144526
R39	RES MF 47.5K 1% 1/4W	144526
R40	RES MF 47.5K 1% 1/4W	144526
R41	RES MF 47.5K 1% 1/4W	144526
R42	RES MF 47.5K 1% 1/4W	144526
R43	RES MF 75 OHM 1% 1/4W	144644
R44	RES MF 75 OHM 1% 1/4W	144644
R45	RES MF 75 OHM 1% 1/4W	144644
R46	RES MF 47.5K 1% 1/4W	144526
R47	RES MF 47.5K 1% 1/4W	144526
R48	RES MF 47.5K 1% 1/4W	144526
R49	RES MF 47.5K 1% 1/4W	144526
R50	RES MF 47.5K 1% 1/4W	144526
R51	RES MF 47.5K 1% 1/4W	144526
R52	RES MF 47.5K 1% 1/4W	144526
R53	RES MF 47.5K 1% 1/4W	144526
R54	RES MF 47.5K 1% 1/4W	144526
R55	RES FP 10 OHM 5% 1/4W	137105
R56	RES MF 4.99K 1% 1/4W	144521
R57	RES FP 10 OHM 5% 1/4W	137105
R58	RES MF 4.99K 1% 1/4W	144521
R59	RES MF 47.5K 1% 1/4W	144526
R60	RES MF 47.5K 1% 1/4W	144526
R61	RES MF 22.1K 1% 1/4W	144564
R62	RES MF 22.1K 1% 1/4W	144564
R63	RES MF 22.1K 1% 1/4W	144564
R91	RES MF 1.1K 1% 1/4W	144514
SP1	BRACKET PCB CARD MOUNTING	003611
SP2	BRACKET PCB CARD MOUNTING	003611
	RIVET 1/8X3/16 STEEL	108011

7 INPUT PCB 750561

C1	CAP ELECT 10UF 16V	066580
C2	CAP ELECT 10UF 16V	066580
C5	CAP MONO .1UF 50V 20% Z5U	061346
C6	CAP MONO .1UF 50V 20% Z5U	061346
C7	CAP MONO .1UF 50V 20% Z5U	061346
C8	CAP MONO .1UF 50V 20% Z5U	061346
C9	CAP ELECT 10UF 16V	066580
C12	CAP MONO 100PF 100V 10% NPO	061341
C13	CAP MONO 100PF 100V 10% NPO	061341
C14	CAP MONO 100PF 100V 10% NPO	061341
C15	CAP MONO .1UF 50V 20% Z5U	061346
C16	CAP MONO .1UF 50V 20% Z5U	061346
C17	CAP MONO .1UF 50V 20% Z5U	061346

Ref. No.	Description	Part No.
C18	CAP MONO .1UF 50V 20% Z5U	061346
C19	CAP MONO .1UF 50V 20% Z5U	061346
C20	CAP MONO .1UF 50V 20% Z5U	061346
C21	CAP MONO .1UF 50V 20% Z5U	061346
C22	CAP MONO .1UF 50V 20% Z5U	061346
C23	CAP MONO .1UF 50V 20% Z5U	061346
C24	CAP MONO .1UF 50V 20% Z5U	061346
C25	CAP MONO .1UF 50V 20% Z5U	061346
C26	CAP MONO .1UF 50V 20% Z5U	061346
C27	CAP MONO .1UF 50V 20% Z5U	061346
C28	CAP MONO .1UF 50V 20% Z5U	061346
C29	CAP MONO .1UF 50V 20% Z5U	061346
C30	CAP MONO .1UF 50V 20% Z5U	061346
C31	CAP MONO .1UF 50V 20% Z5U	061346
C32	CAP MONO .1UF 50V 20% Z5U	061346
C33	CAP MONO .1UF 50V 20% Z5U	061346
C34	CAP MONO 100PF 100V 10% NPO	061341
C35	CAP ELECT 470UF 16V	066508
C36	CAP MONO .1UF 50V 20% Z5U	061346
C37	CAP MONO .1UF 50V 20% Z5U	061346
C38	CAP MONO .1UF 50V 20% Z5U	061346
C39	CAP MONO .1UF 50V 20% Z5U	061346
C40	CAP MONO 47PF 200V 10% NPO	061340
C41	CAP MONO 100PF 100V 10% NPO	061341
C42	CAP MONO .1UF 50V 20% Z5U	061346
C43	CAP ELECT 470UF 16V	066508
C44	CAP ELECT 10UF 16V	066580
C45	CAP MONO 47PF 200V 10% NPO	061340
C46	CAP ELECT 10UF 16V	066580
C48	CAP ELECT 10UF 16V	066580
C47	CAP MONO 100PF 100V 10% NPO	061341
C50	CAP ELECT 10UF 16V	066580
C51	CAP MPF 0.033UF 5% 63VDC	064318
C52	CAP MPF 0.033UF 5% 63VDC	064318
C53	CAP MONO .1UF 50V 20% Z5U	061346
C54	CAP ELECT 10UF 16V	066580
C55	CAP MONO .1UF 50V 20% Z5U	061346
C57	CAP MPF 0.01UF 5% 63VDC	064312
C58	CAP MPF 0.01UF 5% 63VDC	064312
C59	CAP MONO .1UF 50V 20% Z5U	061346
C60	CAP MONO .1UF 50V 20% Z5U	061346
C61	CAP ELECT 10UF 16V	066580
C62	CAP ELECT 10UF 16V	066580
C65	CAP ELECT 10UF 16V	066580
C70	CAP MONO 220PF 200V 10% NPO	061342
C98	CAP ELECT 10UF 16V	066580
C104	CAP ELECT 10UF 16V	066580
C106	CAP ELECT 10UF 16V	066580
C108	CAP ELECT 10UF 16V	066580
C110	CAP ELECT 10UF 16V	066580
C112	CAP ELECT 10UF 16V	066580
C114	CAP ELECT 10UF 16V	066580
C115	CAP ELECT 10UF 16V	066580
C116	CAP ELECT 10UF 16V	066580
C118	CAP MONO .1UF 50V 20% Z5U	061346
C119	CAP MONO .1UF 50V 20% Z5U	061346
C120	CAP ELECT 10UF 16V	066580
C121	CAP ELECT 10UF 16V	066580
C124	CAP ELECT 10UF 16V	066580
C130	CAP ELECT 10UF 16V	066580
C131	CAP ELECT 10UF 16V	066580
C132	CAP ELECT 10UF 16V	066580
C133	CAP ELECT 10UF 16V	066580

PARTS LIST *Cont'd.*

INPUT PCB 750561 Cont'd.

Ref. No.	Description	Part No.
C134	CAP ELECT 10UF 16V	066580
C136	CAP ELECT 10UF 16V	066580
C139	CAP ELECT 10UF 16V	066580
C142	CAP ELECT 10UF 16V	066580
C143	CAP ELECT 10UF 16V	066580
C144	CAP ELECT 10UF 16V	066580
C145	CAP ELECT 10UF 16V	066580
C151	CAP MONO .1UF 50V 20% Z5U	061346
D3	DIODE SILICON	070174
D4	DIODE SILICON	070174
GP1	BRACKET PCB CARD MOUNTING	003611
GP2	BRACKET PCB CARD MOUNTING	003611
IC1	IC SPST QUAD FET SWITCHES N O	133580
IC2	IC SPST QUAD FET SWITCHES N O	133580
IC3	IC SPST QUAD FET SWITCHES N O	133580
IC4	IC SPST QUAD FET SWITCHES N O	133580
IC5	IC SPST QUAD FET SWITCHES N O	133580
IC6	IC SPST QUAD FET SWITCHES N O	133580
IC7	IC SPST QUAD FET SWITCHES N O	133580
IC8	IC SPST QUAD FET SWITCHES N O	133580
IC9	IC SPST QUAD FET SWITCHES N O	133580
IC10	IC SPST QUAD FET SWITCHES N O	133580
IC11	IC SPST QUAD FET SWITCHES N O	133580
IC12	IC SPST QUAD FET SWITCHES N O	133580
IC13	IC SHFT REG SER-PAR	133594
IC14	IC SHFT REG SER-PAR	133594
IC16	IC SPST QUAD FET SWITCHES N O	133580
IC17	IC OPERATIONAL AMPLIFIER	133626
IC18	IC SPST QUAD FET SWITCHES N O	133580
IC19	IC OPERATIONAL AMPLIFIER	133626
IC20	IC OPERATIONAL AMPLIFIER	133626
IC21	IC OPERATIONAL AMPLIFIER	133626
IC22	IC OPERATIONAL AMPLIFIER	133626
IC23	IC OPERATIONAL AMPLIFIER	133626
IC24	IC OPERATIONAL AMPLIFIER	133626
IC25	IC OPERATIONAL AMPLIFIER	133626
IC26	IC OPERATIONAL AMPLIFIER	133626
IC27	IC OPERATIONAL AMPLIFIER	133626
IC28	IC OPERATIONAL AMPLIFIER	133626
IC32	IC OPERATIONAL AMPLIFIER	133626
IC34	IC SHFT REG SER-PAR	133594
IC35	IC SHFT REG SER-PAR	133594
IC38	IC SPST QUAD FET SWITCHES N O	133580
IC39	IC SPST QUAD FET SWITCHES N O	133580
IC33	IC OPERATIONAL AMPLIFIER	133626
J2	JACK RCA 3X2 WHT/RED 14MM	117790
J3	JACK RCA 3X2 WHT/RED 14MM	117790
J4	JACK RCA 3X2 WHT/RED 14MM	117790
J5	JACK RCA 3X2 WHT/RED 14MM	117790
J6	JACK RCA 3X2 WHT/RED 14MM	117790
J8	CONN 4 PIN	117215
J9	CONN MALE 10 POS	117260
J21	CONN 8 POS MALE FRICTION LOCK	117275
J22	CONN 8 POS MALE FRICTION LOCK	117275
PCB1	PC BD INPUT	129808
Q3	TRANSISTOR NPN SILICON	132317
R1	RES MF 100K 1% 1/4W	144528
R3	RES MF 10K 1% 1/4W	144504
R5	RES MF 47.5K 1% 1/4W	144526

Ref. No.	Description	Part No.
R6	RES MF 47.5K 1% 1/4W	144526
R7	RES MF 1K 1% 1/4W	144513
R8	RES MF 1K 1% 1/4W	144513
R9	RES MF 47.5K 1% 1/4W	144526
R10	RES MF 47.5K 1% 1/4W	144526
R11	RES MF 47.5K 1% 1/4W	144526
R12	RES MF 47.5K 1% 1/4W	144526
R14	RES MF 95.3 OHM 1% 1/4W	144572
R15	RES MF 95.3 OHM 1% 1/4W	144572
R16	RES MF 47.5K 1% 1/4W	144526
R17	RES MF 7.5K 1% 1/4W	144571
R18	RES MF 7.5K 1% 1/4W	144571
R19	RES MF 47.5K 1% 1/4W	144526
R20	RES FP 10 OHM 5% 1/4W	137105
R21	RES MF 95.3K 1% 1/4W	144538
R22	RES MF 2.21 OHM 1% 1/4W	144607
R23	RES MF 95.3K 1% 1/4W	144538
R24	RES MF 2.21 OHM 1% 1/4W	144607
R25	RES MF 2.21 OHM 1% 1/4W	144607
R26	RES MF 221 OHM 1% 1/4W	144559
R27	RES MF 221 OHM 1% 1/4W	144559
R28	RES MF 2.21 OHM 1% 1/4W	144607
R29	RES MF 47.5K 1% 1/4W	144526
R30	RES MF 47.5K 1% 1/4W	144526
R31	RES MF 47.5K 1% 1/4W	144526
R32	RES MF 47.5K 1% 1/4W	144526
R33	RES MF 47.5K 1% 1/4W	144526
R34	RES MF 47.5K 1% 1/4W	144526
R35	RES MF 47.5K 1% 1/4W	144526
R36	RES MF 47.5K 1% 1/4W	144526
R37	RES MF 47.5K 1% 1/4W	144526
R38	RES MF 47.5K 1% 1/4W	144526
R39	RES NETWORK 2 X 22K ISO	144689
R40	RES MF 47.5K 1% 1/4W	144526
R41	RES MF 47.5K 1% 1/4W	144526
R42	RES MF 47.5K 1% 1/4W	144526
R43	RES NETWORK 2 X 22K ISO	144689
R44	RES MF 47.5K 1% 1/4W	144526
R45	RES NETWORK 2 X 22K ISO	144689
R46	RES MF 47.5K 1% 1/4W	144526
R47	RES NETWORK 2 X 22K ISO	144689
R48	RES MF 47.5K 1% 1/4W	144526
R49	RES NETWORK 2 X 22K ISO	144689
R50	RES NETWORK 2 X 22K ISO	144689
R51	RES NETWORK 2 X 22K ISO	144689
R52	RES MF 47.5K 1% 1/4W	144526
R53	RES NETWORK 2 X 22K ISO	144689
R54	RES MF 47.5K 1% 1/4W	144526
R55	RES NETWORK 2 X 22K ISO	144689
R56	RES MF 47.5K 1% 1/4W	144526
R57	RES NETWORK 2 X 22K ISO	144689
R58	RES MF 47.5K 1% 1/4W	144526
R59	RES NETWORK 2 X 22K ISO	144689
R60	RES MF 47.5K 1% 1/4W	144526
R61	RES NETWORK 2 X 22K ISO	144689
R62	RES MF 47.5K 1% 1/4W	144526
R65	RES MF 47.5K 1% 1/4W	144526
R66	RES MF 47.5K 1% 1/4W	144526
R71	RES NETWORK 2 X 22K ISO	144689
R76	RES NETWORK 2 X 100 OHM ISO	144680
R78	RES NETWORK 2 X 100 OHM ISO	144680
R86	RES NETWORK 2 X 22K ISO	144689
R89	RES NETWORK 2 X 100 OHM ISO	144680

PARTS LIST *Cont'd.*

INPUT PCB 750561 Cont'd.

Ref. No.	Description	Part No.
R110	RES MF 1K 1% 1/4W	144513
R111	RES FP 10 OHM 5% 1/4W	137105
R112	RES FP 10 OHM 5% 1/4W	137105
R113	RES FP 10 OHM 5% 1/4W	137105
U2	IC OPERATIONAL AMP LOW NOISE	133565
U3	IC OPERATIONAL AMP LOW NOISE	133565
U4	IC 3-8 LINE DEC LATCH	133170
	RIVET 1/8X3/16 STEEL	108011

8 COMPONENT VIDEO PCB 750566

BRKT1	BRACKET PCB CARD MOUNTING	003611
C1	CAP MPF 0.047UF 5% 63VDC	064320
C2	CAP MPF 0.047UF 5% 63VDC	064320
C3	CAP MPF 0.047UF 5% 63VDC	064320
C4	CAP ELECT 10UF 50V	066445
C5	CAP MONO 220PF 200V 10% NPO	061342
C6	CAP MPF 0.047UF 5% 63VDC	064320
C7	CAP MPF 0.047UF 5% 63VDC	064320
C8	CAP MPF 0.047UF 5% 63VDC	064320
C9	CAP MPF 0.047UF 5% 63VDC	064320
C10	CAP ELECT 47UF 25V 20% BP	066556
C11	CAP ELECT 47UF 25V 20% BP	066556
C12	CAP MPF 0.047UF 5% 63VDC	064320
C13	CAP MPF 0.047UF 5% 63VDC	064320
C14	CAP MPF 0.047UF 5% 63VDC	064320
C15	CAP MPF 0.047UF 5% 63VDC	064320
C16	CAP MPF 0.068UF 5% 63VDC	064323
C17	CAP MPF 0.047UF 5% 63VDC	064320
C19	CAP ELECT 470UF 16V	066508
C20	CAP ELECT 470UF 16V	066508
C21	CAP MONO 390PF 5% 200V	061352
C22	CAP MONO 120P 5% 200V	061351
C23	CAP MONO 560PF 200V 5% NPO	061348
C24	CAP MONO 390PF 5% 200V	061352
C25	CAP MONO 120P 5% 200V	061351
C26	CAP MONO 560PF 200V 5% NPO	061348
C27	CAP MONO 390PF 5% 200V	061352
C28	CAP MONO 120P 5% 200V	061351
C29	CAP MONO 560PF 200V 5% NPO	061348
C30	CAP ELECT 47UF 25V 20% BP	066556
C31	CAP MONO .1UF 50V 20% Z5U	061346
C32	CAP MONO .1UF 50V 20% Z5U	061346
C33	CAP MONO .1UF 50V 20% Z5U	061346
C34	CAP MONO .1UF 50V 20% Z5U	061346
C35	CAP ELECT 47UF 25V 20% BP	066556
C36	CAP MONO .1UF 50V 20% Z5U	061346
C37	CAP MONO .1UF 50V 20% Z5U	061346
C40	CAP ELECT 47UF 25V 20% BP	066556
C41	CAP ELECT 47UF 25V 20% BP	066556
C42	CAP MONO .1UF 50V 20% Z5U	061346
C43	CAP ELECT 47UF 25V 20% BP	066556
C44	CAP ELECT 10UF 50V	066445
C45	CAP MONO .1UF 50V 20% Z5U	061346
C46	CAP ELECT 10UF 50V	066445
C47	CAP MONO .1UF 50V 20% Z5U	061346
C48	CAP MONO .1UF 50V 20% Z5U	061346
C49	CAP ELECT 47UF 25V 20% BP	066556
C50	CAP MONO 220PF 200V 10% NPO	061342
C61	CAP MONO .1UF 50V 20% Z5U	061346

Ref. No.	Description	Part No.
C62	CAP ELECT 10UF 50V	066445
C63	CAP MONO .1UF 50V 20% Z5U	061346
C64	CAP ELECT 10UF 50V	066445
C67	CAP MONO 22PF 200V 10% NPO	061339
C68	CAP MONO 1000PF 50V 10% NPO	061344
C69	CAP MONO 10PF 200V 10% NPO	061338
C70	CAP MONO 10PF 200V 10% NPO	061338
C71	CAP MONO 22PF 200V 10% NPO	061339
C72	CAP MONO 22PF 200V 10% NPO	061339
C73	CAP MONO .1UF 50V 20% Z5U	061346
C75	CAP MONO .1UF 50V 20% Z5U	061346
C76	CAP MONO .1UF 50V 20% Z5U	061346
C77	CAP MONO .1UF 50V 20% Z5U	061346
C78	CAP MONO .1UF 50V 20% Z5U	061346
C79	CAP MONO 33PF 200V 5% NPO	061347
C80	CAP MONO 33PF 200V 5% NPO	061347
C110	CAP MONO .1UF 50V 20% Z5U	061346
C111	CAP MONO .1UF 50V 20% Z5U	061346
C112	CAP MONO .1UF 50V 20% Z5U	061346
C113	CAP MONO .1UF 50V 20% Z5U	061346
C114	CAP MONO .1UF 50V 20% Z5U	061346
C115	CAP MONO .1UF 50V 20% Z5U	061346
C116	CAP MONO .1UF 50V 20% Z5U	061346
C117	CAP MONO .1UF 50V 20% Z5U	061346
C118	CAP MONO .1UF 50V 20% Z5U	061346
C119	CAP MONO .1UF 50V 20% Z5U	061346
C170	CAP ELECT 100UF 25V	066573
C174	CAP ELECT 100UF 25V	066573
HS1	HEATSINK T0220	080014
HS2	HEATSINK T0220	080014
HS3	HEATSINK T0220	080014
IC5	IC PROG VIDEO CPLD 133660	133661
IC9	IC 100MA I FEEDBACK AMP	133579
IC10	IC 100MA I FEEDBACK AMP	133579
IC12	IC 100MA I FEEDBACK AMP	133579
IC13	IC 100MA I FEEDBACK AMP	133579
IC15	IC REGULATOR 3.3V LOW DROPOUT	133630
(IC15)	IC SOCKET 84 PIN PLCC	178185
IC22	IC SHFT REG SER-PAR	133594
IC36	IC REGULATOR +5V	133569
J1	CONN 2X7 SHROUDER HEADER	117970
J2	CONN 2X5 SHROUDER HEADER	117969
J3	CONN 4 PIN	117215
J4	CONN MALE 7 PIN	117217
J5	CONN HEADER 10 POS	117333
J6	CONN 2 PIN MALE	117213
J7	CONN 4 PIN	117215
J8	CONN MALE 6 POS FRICTION LOCK	117218
J9	CONN 2 PIN MALE	117213
J10	CONN 2X13 SHROUDED HEADER	117971
J13	RCA JACK 2 X 3 RBG	117840
J17	RCA JACK 2 X 3 RBG	117840
J19	RCA JACK 2 X 3 RBG	117840
J20	CONN MALE 10 POS RIGHT ANGLE	117260
J21	CONN MALE 12 POS ASSY	117220
L1	BEADS FERRITE LEADED	076023
L2	BEADS FERRITE LEADED	076023
L3	CHOKE RF 3.3UH 10%	122398
L4	CHOKE RF 3.3UH 10%	122398
L5	CHOKE RF 3.3UH 10%	122398
L6	CHOKE RF 3.3UH 10%	122398
L7	CHOKE 8.2UH 10% CC	122399
L8	CHOKE RF 3.3UH 10%	122398
L9	CHOKE RF 3.3UH 10%	122398

PARTS LIST *Cont'd.*

COMPONENT VIDEO PCB 750566 Cont'd.

Ref. No.	Description	Part No.
L10	BEADS FERRITE LEADED	076023
L11	CHOKE RF 3.3UH 10%	122398
L12	RES CF 0 OHM 5% 1/4W	141554
L13	CHOKE 8.2UH 10% CC	122399
L18	INDUCTOR 2.7UH	122395
L19	INDUCTOR 2.7UH	122395
L20	INDUCTOR 2.7UH	122395
L21	INDUCTOR 2.7UH	122395
L22	INDUCTOR 2.7UH	122395
L23	INDUCTOR 2.7UH	122395
Q4	IC VOLTAGE REGULATOR -5.2V	133567
R1	RES MF 18.2 OHM 1% 1/4W	144659
R2	RES MF 4.75K 1% 1/4W	144520
R5	RES NETWORK 8 X 330 ISO	144679
R9	RES MF 10K 1% 1/4W	144504
R10	RES MF 10K 1% 1/4W	144504
R11	RES MF 10K 1% 1/4W	144504
R14	RES MF 806 OHM 1% 1/4W	144512
R15	RES MF 806 OHM 1% 1/4W	144512
R20	RES MF 75 OHM 1% 1/4W	144644
R22	RES MF 75 OHM 1% 1/4W	144644
R23	RES MF 75 OHM 1% 1/4W	144644
R24	RES MF 22.1K 1% 1/4W	144564
R25	RES MF 75 OHM 1% 1/4W	144644
R26	RES MF 806 OHM 1% 1/4W	144512
R27	RES MF 75 OHM 1% 1/4W	144644
R28	RES MF 4.75 OHM 1% 1/4W	144658
R29	RES MF 22.1 OHM 1% 1/4W	144554
R30	RES MF 10K 1% 1/4W	144504
R31	RES MF 10 OHM 1% 1/4W	144553
R32	RES MF 10 OHM 1% 1/4W	144553
R33	RES MF 22.1 OHM 1% 1/4W	144554
R35	RES MF 18.2 OHM 1% 1/4W	144659
R36	RES MF 56.2 OHM 1% 1/4W	144660
R37	RES MF 18.2 OHM 1% 1/4W	144659
R38	RES MF 56.2 OHM 1% 1/4W	144660
R39	RES MF 18.2 OHM 1% 1/4W	144659
R40	RES MF 56.2 OHM 1% 1/4W	144660
R41	RES MF 18.2 OHM 1% 1/4W	144659
R42	RES MF 56.2 OHM 1% 1/4W	144660
R43	RES MF 18.2 OHM 1% 1/4W	144659
R44	RES MF 56.2 OHM 1% 1/4W	144660
R45	RES MF 18.2 OHM 1% 1/4W	144659
R46	RES MF 56.2 OHM 1% 1/4W	144660
R50	RES MF 1.1K 1% 1/4W	144514
R53	RES MF 100K 1% 1/4W	144528
R54	RES MF 10K 1% 1/4W	144504
R55	RES MF 10 OHM 1% 1/4W	144553
R60	RES FP 10 OHM 5% 1/4W	137105
R61	RES MO 4.7 OHM 5% 1W	144656
R62	RES MO 4.7 OHM 5% 1W	144656
R63	RES MF 806 OHM 1% 1/4W	144512
R65	RES MF 4.75K 1% 1/4W	144520
R66	RES MF 4.75K 1% 1/4W	144520
R70	RES MF 10K 1% 1/4W	144504
R71	RES MF 10K 1% 1/4W	144504
R72	RES MF 10K 1% 1/4W	144504
R73	RES MF 806 OHM 1% 1/4W	144512
R74	RES MF 806 OHM 1% 1/4W	144512
R75	RES MF 10K 1% 1/4W	144504

Ref. No.	Description	Part No.
R76	RES MF 806 OHM 1% 1/4W	144512
R77	RES MF 806 OHM 1% 1/4W	144512
R78	RES MF 75 OHM 1% 1/4W	144644
R79	RES MF 75 OHM 1% 1/4W	144644
R80	RES MF 75 OHM 1% 1/4W	144644
R88	RES MF 100K 1% 1/4W	144528
R89	RES MF 4.75K 1% 1/4W	144520
R90	RES MF 4.75K 1% 1/4W	144520
R91	RES MF 10K 1% 1/4W	144504
R92	RES MF 10K 1% 1/4W	144504
R94	RES CF 0 OHM 5% 1/4W	141554
R96	RES CF 0 OHM 5% 1/4W	141554
R98	RES MF 56.2 OHM 1% 1/4W	144660
R99	RES MF 18.2 OHM 1% 1/4W	144659
U2	IC QUAD ANALOG SWITCH HI SPEED	133342
Y1	CRYSTAL 17.7344 FUND	180076
Y2	CRYSTAL 27MHZ 3RD HARMONIC	180080
Y3	CRYSTAL 24.576MHZ	180075
Y4	CRYSTAL 14.3181MHZ FUND	180078
	SCR MS 6-32X1/4 PH PN CLR	400186
	NUT KEP 6-32 SPECIAL	402045

9 TUNER/RAA1 SECTION PCB 049084

C1	MONO CAP 0.1MF 20% 50V	061277
C2	MONO CAP 100PF 5% 100V NPO	061275
C3	MONO CAP 10PF 10% 100V	061288
C4	MONO CAP 0.1MF 20% 50V	061277
C5	MONO CAP .0022UF 10% 50V	061287
C6	MONO CAP 100PF 5% 100V NPO	061275
C7	MONO CAP 0.1MF 20% 50V	061277
C8	CAP MONO 22PF 5% 100V NPO	061282
C9	MONO CAP 10PF 10% 100V	061288
C10	CAP MONO .047UF 10% 50V X7R	061286
C11	MONO CAP 0.1MF 20% 50V	061277
C12	MONO CAP 100PF 5% 100V NPO	061275
C13	CAP MONO .047UF 10% 50V X7R	061286
C14	MONO CAP 100PF 5% 100V NPO	061275
C15	CAP MONO .047UF 10% 50V X7R	061286
C16	CAP MONO .047UF 10% 50V X7R	061286
C17	MONO CAP 100PF 5% 100V NPO	061275
C18	CAP MONO .047UF 10% 50V X7R	061286
C19	MONO CAP 0.1MF 20% 50V	061277
C20	MONO CAP 0.1MF 20% 50V	061277
C21	CAP MONO CER 360PF 5% 100V	061257
C22	MONO CAP 10PF 10% 100V	061288
C23	CAP MONO .0022UF 5% 100V NPO	061287
C25	CAP MONO .0022UF 5% 100V NPO	061287
C24	CAP MONO 22PF 5% 100V NPO	061282
C25	CAP MONO .0022UF 5% 100V NPO	061287
C26	MONO CAP 0.1MF 20% 50V	061277
C27	MONO CAP 0.1MF 20% 50V	061277
C28	CAP MONO .047UF 10% 50V X7R	061286
C29	MONO CAP 0.1MF 20% 50V	061277
C30	MONO CAP 0.1MF 20% 50V	061277
C31	CAP MONO .0022UF 5% 100V NPO	061287
C32	MONO CAP 10PF 10% 100V	061288
C33	CAP MONO .047UF 10% 50V X7R	061286
C34	MONO CAP 0.1MF 20% 50V	061277
C35	DISC CAP 1.8PF +/- .25PF NPO	061002
C36	M POLY CAP .015UF 5% 63V DC	064314
C37	M POLY CAP .033UF 5% 63V DC	064318
C38	M POLY CAP .047UF 5% 63V DC	064320

PARTS LIST *Cont'd.*

TUNER/RAA1 SECTION PCB 049084 Cont'd.

Ref. No.	Description	Part No.
C39	CAP MONO CER 470PF 5% 100V NPO	061256
C40	M POLY CAP .015UF 5% 63V DC	064314
C41	M POLY CAP .033UF 5% 63V DC	064318
C42	M POLY CAP .033UF 5% 63V DC	064318
C43	M POLY CAP .033UF 5% 63V DC	064318
C45	ELECT CAP 10UF 50V	066445
C46	ELECT CAP 10UF 50V	066445
C47	ELECT CAP 10UF 50V	066445
C48	ELECT CAP 10UF 50V	066445
C49	ELECT CAP 10UF 50V	066445
C50	DISC CAP .47UF 50V MONOLITHIC	061249
C51	ELECT CAP 10UF 50V	066445
C52	ELECT CAP 10UF 50V	066445
C53	ELECT CAP 47UF 35V	066446
C54	ELECT CAP 10UF 50V	066445
C55	ELECT CAP 10UF 50V	066445
C56	ELECT CAP 100UF 25V	066447
C57	CAP ELECT 1UF 10% 50V	066269
C58	CAP ELECT 1UF 10% 50V	066269
C59	TRIM CAP 2-10PF	060027
C60	TRIM CAP 2-10PF	060027
C61	3-27PF TRIMMER CAPACITOR	060029
C62	TRIM CAP 2-10PF	060027
C63	TRIM CAP 2-10PF	060027
C64	3-27PF TRIMMER CAPACITOR	060029
C65	3-27PF TRIMMER CAPACITOR	060029
C67	ELECT CAP 100UF 25V	066447
C68	ELECT CAP 100UF 25V	066447
C69	ELECT CAP 100UF 25V	066447
C70	DISC CAP .47UF 50V MONOLITHIC	061249
C71	DISC CAP .47UF 50V MONOLITHIC	061249
C72	DISC CAP .47UF 50V MONOLITHIC	061249
C73	CAP MPF 0.22UF 5% 63VDC	064329
C74	MONO CAP .0022UF 10% 50V RADIA	061287
C75	MONO CAP .047UF 10% 50V RADIA	061286
C76	CAP MONO 220PF 5% 100V NPO	061273
C77	CAP MONO 220PF 5% 100V NPO	061273
C78	CAP MONO 220PF 5% 100V NPO	061273
C79	CAP MONO 220PF 5% 100V NPO	061273
C80	M POLY CAP .022UF 5% 63V DC	064316
C81	M POLY CAP .022UF 5% 63V DC	064316
C82	CAP MPF 0.0068UF 10% 63VDC	064310
C83	CAP MPF 0.0068UF 10% 63VDC	064310
C102	MONO CAP 0.1MF 20% 50V	061277
C103	CAP MONO .0022UF 5% 100V NPO	061287
C104	MONO CAP 0.1MF 20% 50V	061277
C105	MONO CAP 0.1MF 20% 50V	061277
C106	3-27PF TRIMMER CAPACITOR	060029
D1	DIODE TUNING	070122
D2	DIODE TUNING	070122
D3	DIODE TUNING	070122
D4	DIODE TUNING	070122
(D5)	ALL 8 DIODES USED ON JAPANESE VERSION	
(D6)	ALL 8 DIODES USED ON JAPANESE VERSION	
(D7)	ALL 8 DIODES USED ON JAPANESE VERSION	
(D8)	ALL 8 DIODES USED ON JAPANESE VERSION	
D10	SILICONE DIODE	070047
D11	TUNING DIODE	070125
D12	TUNING DIODE	070125

Ref. No.	Description	Part No.
D101	TUNING DIODE	070125
D102	SILICONE DIODE	070047
D103	SILICONE DIODE	070047
D104	SILICONE DIODE	070047
FN1	FILTER CERAMIC 10.7MHZ	180056
FN2	FILTER CERAMIC 10.7MHZ	180056
FN3	FILTER CERAMIC 10.7MHZ	180056
FN6	FILTER 450KHZ	180055
IC1	IC FM FRONT END	133231
IC2	AM-FM MPX TUNER IC	133381
IC3	IC DIRECT PLL FREQ SYNTHESIZER	133270
IC4	IC OPERATIONAL AMPLIFIER	133189
IC5	IC OPERATIONAL AMPLIFIER	133189
IC6	IC +8V VOLTAGE REGULATOR	133147
J1	GOLD F CONNECTOR RIGHT ANGLE	117661
J2	CONN 7-PIN DIN	117383
J3	MALE CONN 6 PIN RT ANGLE	117223
J4	CONN RT ANGLE 7 POS	117319
J5	CONNECTOR 4 PIN RT ANGLE	117240
J6	CONNECTOR 2-PIN MALE	117213
J101-	CONTACT MALE 18-14AWG	117667
L1	RF CHOKE 3.3YH 10%	122229
L2	MIXER COIL	122250
L3	MIXER COIL	122250
L4	ANT COIL	122249
L5	ANT COIL	122249
Q1	TRANSISTOR "D" MOS FET	132256
Q2	TRANSISTOR PNP	132224
Q3	TRANSISTOR NPN	132223
Q5	TRANSISTOR NPN	132223
Q6	TRANSISTOR NPN	132223
Q7	TRANSISTOR NPN	132223
Q8	TRANSISTOR 1-4V PNC OFF 250 OH	132220
Q9	TRANSISTOR PNP	132224
Q10	TRANSISTOR NPN	132223
Q11	TRANSISTOR NPN	132223
Q12	TRANSISTOR NPN	132223
Q101	TRANSISTOR 1-4V PNC OFF 250 OH	132220
Q102	TRANSISTOR RF FET J-310 FET	132178
R1	RES CF 10K 5% 1/4W	141072
R3	RES CF 1.0K 5% 1/4W	141049
R4	RES CF 100 OHM 5% 1/4W	141025
R5	RES CF 1.0K 5% 1/4W	141049
R6	RES CF 15K 5% 1/4W	141076
R7	RES CF 1.0K 5% 1/4W	141049
R8	RES CF 47K 5% 1/4W	141088
R9	RES CF 47K 5% 1/4W	141088
R10	METAL FILM RES 2.87K 1% 1/4W	144142
R11	RES CF 10K 5% 1/4W	141072
R13	RES CF 47K 5% 1/4W	141088
R14	RES CF 100 OHM 5% 1/4W	141025
R15	RES CF 10K 5% 1/4W	141072
R16	RES CF 2.2M 5% 1/4W	141124
R17	RES CF 22K 5% 1/4W	141080
R18	RES CF 47K 5% 1/4W	141088
R19	RES CF 10K 5% 1/4W	141072
R20	RES CF 15K 5% 1/4W	141076
R21	RES CF 100 OHM 5% 1/4W	141025
R22	RES CF 4.7K 5% 1/4W	141064
R23	RES CF 330 5% 1/4W	141037
R24	RES CF 4.7K 5% 1/4W	141064
R25	METAL FILM RES 2.87K 1% 1/4W	144142
R26	RES CF 330 5% 1/4W	141037

PARTS LIST *Cont'd.*

TUNER/RAA1 SECTION PCB 049084 Cont'd.

Ref. No.	Description	Part No.
R27	RES CF 680K 5% 1/4W	141116
R28	RES CF 680K 5% 1/4W	141116
R29	RES CF 10K 5% 1/4W	141072
R30	RES CF 1.0K 5% 1/4W	141049
R32	METAL FILM RES 4.75K 1% 1/4W	144097
R33	RES CF 4.7K 5% 1/4W	141064
R35	RES CF 4.7K 5% 1/4W	141064
R38	RES CF 1.0K 5% 1/4W	141049
R39	RES CF 2.2K 5% 1/4W	141057
R40	RES CF 15K 5% 1/4W	141076
R41	RES CF 10K 5% 1/4W	141072
R42	RES CF 2.2M 5% 1/4W	141124
R44	RES CF 10K 5% 1/4W	141072
R46	RES CF 2.2K 5% 1/4W	141057
R47	METAL FILM RES 2.67K 1% 1/4W	144121
R48	METAL FILM RES 2.67K 1% 1/4W	144121
R50	RES CF 10K 5% 1/4W	141072
R51	RES CF 47 OHM 5% 1/4W	141152
R52	RES CF 22K 5% 1/4W	141080
R54	RES CF 220 OHM 5% 1/4W	141033
R55	RES CF 22K 5% 1/4W	141080
R56	RES CF 100K 5% 1/4W	141096
R58	RES CF 22K 5% 1/4W	141080
R60	RES CF 100 OHM 5% 1/4W	141025
R61	RES CF 100K 5% 1/4W	141096
R63	RES CF 3.3K 5% 1/4W	141060
R64	RES CF 10K 5% 1/4W	141072
R65	RES CF 220 OHM 5% 1/4W	141033
R67	RES CF 22 OHM 5% 1/4W	141144
R68	RES CF 10K 5% 1/4W	141072
R69	RES CF 4.7K 5% 1/4W	141064
R70	TRIMPOT 22K	134406
R71	POTENTIOMETER 10K OHM	134414
R73	POTENTIOMETER 10K OHM	134414
R74	RES CF 47 OHM 5% 1/4W	141152
R75	RES CF 10K 5% 1/4W	141072
R76	RES CF 100K 5% 1/4W	141096
R101	RES CF 10K 5% 1/4W	141072
R102	RES CF 10K 5% 1/4W	141072
R103	RES CF 470 OHM 5% 1/4W	141041
R104	RES CF 22 OHM 5% 1/4W	141144
R105	RES CF 10K 5% 1/4W	141072
T7	TRANSFORMER (MATCHING)	162113
T8	TRANSFORMER QUAD DET SEC	162103
T9	TRANSFORMER QUAD DET PRIM	162102
T10	10.7MHZ MIXER TRANSFORMER	162114
T11	AM OSC COIL	162115
T12	AM RF TRANSFORMER	162117
T101	AM OSC COIL	162115
Y1	CRYSTAL 7.2MHZ	180036
Y2	CERAMIC RESONATOR 450KHZ	180046

10 BALANCED PCB 750567

C1	CAP ELECT 10UF 50V	066445
C2	CAP ELECT 10UF 50V	066445
C3	CAP ELECT 10UF 50V	066445
C4	CAP ELECT 10UF 50V	066445
C5	CAP MONO .1UF 50V 20% Z5U	061346

Ref. No.	Description	Part No.
C6	CAP MONO .1UF 50V 20% Z5U	061346
C7	CAP MONO .1UF 50V 20% Z5U	061346
C8	CAP ELECT 10UF 50V	066445
C9	CAP MONO 100PF 100V 10% NPO	061341
C10	CAP MONO 100PF 100V 10% NPO	061341
C11	CAP MONO 100PF 100V 10% NPO	061341
C12	CAP MONO 100PF 100V 10% NPO	061341
C13	CAP MONO 100PF 100V 10% NPO	061341
C14	CAP MONO 100PF 100V 10% NPO	061341
C15	CAP MONO 100PF 100V 10% NPO	061341
C16	CAP ELECT 10UF 50V	066445
C17	CAP MONO 100PF 100V 10% NPO	061341
C18	CAP MONO 100PF 100V 10% NPO	061341
C19	CAP ELECT 10UF 50V	066445
C20	CAP ELECT 10UF 50V	066445
C21	CAP MONO 100PF 100V 10% NPO	061341
C22	CAP MONO 100PF 100V 10% NPO	061341
C23	CAP ELECT 10UF 50V	066445
C24	CAP ELECT 10UF 50V	066445
C25	CAP ELECT 10UF 50V	066445
C26	CAP ELECT 10UF 50V	066445
C27	CAP MONO .1UF 50V 20% Z5U	061346
C28	CAP MONO 100PF 100V 10% NPO	061341
C29	CAP ELECT 470UF 50V	066469
C30	CAP ELECT 10UF 50V	066445
C31	CAP ELECT 10UF 50V	066445
C36	CAP ELECT 10UF 50V	066445
C37	CAP ELECT 10UF 50V	066445
C38	CAP ELECT 10UF 50V	066445
C39	CAP ELECT 10UF 50V	066445
C40	CAP ELECT 10UF 50V	066445
C41	CAP MONO .1UF 50V 20% Z5U	061346
C42	CAP MONO .1UF 50V 20% Z5U	061346
C43	CAP ELECT 10UF 50V	066445
C44	CAP MONO .1UF 50V 20% Z5U	061346
C46	CAP ELECT 10UF 50V	066445
C47	CAP ELECT 10UF 50V	066445
C48	CAP ELECT 10UF 50V	066445
C49	CAP ELECT 10UF 50V	066445
C50	CAP ELECT 10UF 50V	066445
C51	CAP ELECT 10UF 50V	066445
C52	CAP ELECT 10UF 50V	066445
C53	CAP ELECT 10UF 50V	066445
C54	CAP ELECT 10UF 50V	066445
C55	CAP MONO .1UF 50V 20% Z5U	061346
C56	CAP MONO .1UF 50V 20% Z5U	061346
C57	CAP ELECT 10UF 50V	066445
C58	CAP ELECT 10UF 50V	066445
C59	CAP MONO .1UF 50V 20% Z5U	061346
C60	CAP ELECT 10UF 50V	066445
C61	CAP ELECT 10UF 50V	066445
C62	CAP ELECT 10UF 50V	066445
C63	CAP MONO .1UF 50V 20% Z5U	061346
C64	CAP ELECT 10UF 50V	066445
C65	CAP ELECT 10UF 50V	066445
C66	CAP ELECT 10UF 50V	066445
C67	CAP ELECT 10UF 50V	066445
C68	CAP ELECT 10UF 50V	066445
C69	CAP ELECT 10UF 50V	066445
C70	CAP MONO .1UF 50V 20% Z5U	061346
C71	CAP ELECT 10UF 50V	066445
C72	CAP ELECT 10UF 50V	066445
C73	CAP ELECT 10UF 50V	066445

PARTS LIST *Cont'd.*

BALANCED PCB 750567 Cont'd.

Ref. No.	Description	Part No.
C74	CAP ELECT 10UF 50V	066445
C75	CAP ELECT 10UF 50V	066445
C76	CAP ELECT 10UF 50V	066445
D4	DIODE SILICON	070174
D5	DIODE SILICON	070174
D6	DIODE SILICON	070174
D7	DIODE SILICON	070174
IC70	IC OCTAL DAR TRNS ARRY W/DIODE	133624
J2	CONN XLR FEM HORIZ PCB LATCH	117814
J3	CONN XLR FEM HORIZ PCB LATCH	117814
J4	CONN XLR FEM HORIZ PCB LATCH	117814
J5	CONN XLR FEM HORIZ PCB LATCH	117814
J10	RECEPTACLE XLR MALE	117686
J11	RECEPTACLE XLR MALE	117686
J12	RECEPTACLE XLR MALE	117686
J13	RECEPTACLE XLR MALE	117686
J14	RECEPTACLE XLR MALE	117686
J15	RECEPTACLE XLR MALE	117686
J16	RECEPTACLE XLR MALE	117686
J17	RECEPTACLE XLR MALE	117686
J31	CONN 12 PIN FFC	117907
J32	CONN 4 PIN	117215
J33	CONN 12 PIN FFC	117907
J34	CONN 4 PIN	117215
J35	CONN 12 PIN FFC	117907
K19	RELAY REED FORM 1A 5V 500 OHMS	087050
K20	RELAY REED FORM 1A 5V 500 OHMS	087050
K21	RELAY REED FORM 1A 5V 500 OHMS	087050
K22	RELAY REED FORM 1A 5V 500 OHMS	087050
K23	RELAY REED FORM 1A 5V 500 OHMS	087050
K24	RELAY REED FORM 1A 5V 500 OHMS	087050
K25	RELAY REED FORM 1A 5V 500 OHMS	087050
K26	RELAY REED FORM 1A 5V 500 OHMS	087050
PCB1	PC BD BALANCED	129779
R1	RES NETWORK 2 X 220K ISO	144678
R2	RES MF 20K 1% 1/4W	144524
R3	RES MF 20K 1% 1/4W	144524
R4	RES MF 20K 1% 1/4W	144524
R5	RES MF 20K 1% 1/4W	144524
R6	RES MF 20K 1% 1/4W	144524
R7	RES MF 20K 1% 1/4W	144524
R8	RES MF 10K 1% 1/4W	144504
R9	RES MF 10K 1% 1/4W	144504
R10	RES MF 10K 1% 1/4W	144504
R11	RES MF 10K 1% 1/4W	144504
R12	RES MF 10K 1% 1/4W	144504
R13	RES MF 10K 1% 1/4W	144504
R14	RES MF 10K 1% 1/4W	144504
R15	RES MF 10K 1% 1/4W	144504
R16	RES MF 20K 1% 1/4W	144524
R17	RES MF 20K 1% 1/4W	144524
R18	RES NETWORK 2 X 220K ISO	144678
R19	RES NETWORK 2 X 22K ISO	144689
R20	RES NETWORK 2 X 22K ISO	144689
R21	RES MF 10 OHM 1% 1/4W	144553
R22	RES NETWORK 2 X 22K ISO	144689
R23	RES MF 10 OHM 1% 1/4W	144553
R24	RES NETWORK 2 X 22K ISO	144689
R25	RES MF 10 OHM 1% 1/4W	144553
R31	RES MF 20K 1% 1/4W	144524

Ref. No.	Description	Part No.
R32	RES MF 20K 1% 1/4W	144524
R33	RES MF 100 OHM 1% 1/4W	144568
R34	RES MF 100 OHM 1% 1/4W	144568
R35	RES MF 100 OHM 1% 1/4W	144568
R36	RES MF 100 OHM 1% 1/4W	144568
R37	RES MF 100 OHM 1% 1/4W	144568
R38	RES MF 100 OHM 1% 1/4W	144568
R39	RES MF 100 OHM 1% 1/4W	144568
R40	RES MF 100 OHM 1% 1/4W	144568
R41	RES MF 20K 1% 1/4W	144524
R42	RES MF 20K 1% 1/4W	144524
R43	RES MF 20K 1% 1/4W	144524
R44	RES MF 20K 1% 1/4W	144524
R45	RES MF 20K 1% 1/4W	144524
R46	RES MF 20K 1% 1/4W	144524
R47	RES MF 100 OHM 1% 1/4W	144568
R48	RES MF 100 OHM 1% 1/4W	144568
R49	RES MF 100 OHM 1% 1/4W	144568
R50	RES MF 22.1K 1% 1/4W	144564
R51	RES MF 22.1K 1% 1/4W	144564
R52	RES MF 22.1K 1% 1/4W	144564
R53	RES NETWORK 2 X 220K ISO	144678
R54	RES MF 22.1K 1% 1/4W	144564
R55	RES MF 100 OHM 1% 1/4W	144568
R56	RES MF 22.1K 1% 1/4W	144564
R57	RES MF 20K 1% 1/4W	144524
R58	RES MF 20K 1% 1/4W	144524
R59	RES NETWORK 2 X 220K ISO	144678
R60	RES MF 20K 1% 1/4W	144524
R61	RES MF 20K 1% 1/4W	144524
R62	RES MF 20K 1% 1/4W	144524
R63	RES MF 20K 1% 1/4W	144524
R64	RES MF 100 OHM 1% 1/4W	144568
R65	RES MF 100 OHM 1% 1/4W	144568
R66	RES MF 22.1K 1% 1/4W	144564
R67	RES MF 100 OHM 1% 1/4W	144568
R68	RES NETWORK 2 X 220K ISO	144678
R69	RES MF 20K 1% 1/4W	144524
R70	RES MF 20K 1% 1/4W	144524
R71	RES MF 100 OHM 1% 1/4W	144568
R72	RES MF 22.1K 1% 1/4W	144564
R73	RES MF 100 OHM 1% 1/4W	144568
R74	RES MF 100 OHM 1% 1/4W	144568
R75	RES MF 22.1K 1% 1/4W	144564
R76	RES MF 100 OHM 1% 1/4W	144568
R77	RES NETWORK 2 X 220K ISO	144678
R78	RES MF 100 OHM 1% 1/4W	144568
SP1	BRACKET PCB CARD MOUNTING	003611
SP2	BRACKET PCB CARD MOUNTING	003611
U1	IC DUAL OPERATIONAL AMPLIFIER	133578
U2	IC DUAL OPERATIONAL AMPLIFIER	133578
U6	IC DUAL OPERATIONAL AMPLIFIER	133578
U7	IC DUAL OPERATIONAL AMPLIFIER	133578
U9	IC DUAL OPERATIONAL AMPLIFIER	133578
U11	IC DUAL OPERATIONAL AMPLIFIER	133578
	RIVET 1/8X3/16 STEEL	108011



HDMI SWITCH PCB 750623

	BRACKET PCB CARD MOUNTING	003611
	HDMI SWITCH MODULE	320276
	SCR MS 6-32X1/4 SEMS PH PN CLR	400250
	NUT KEP 6-32	402003

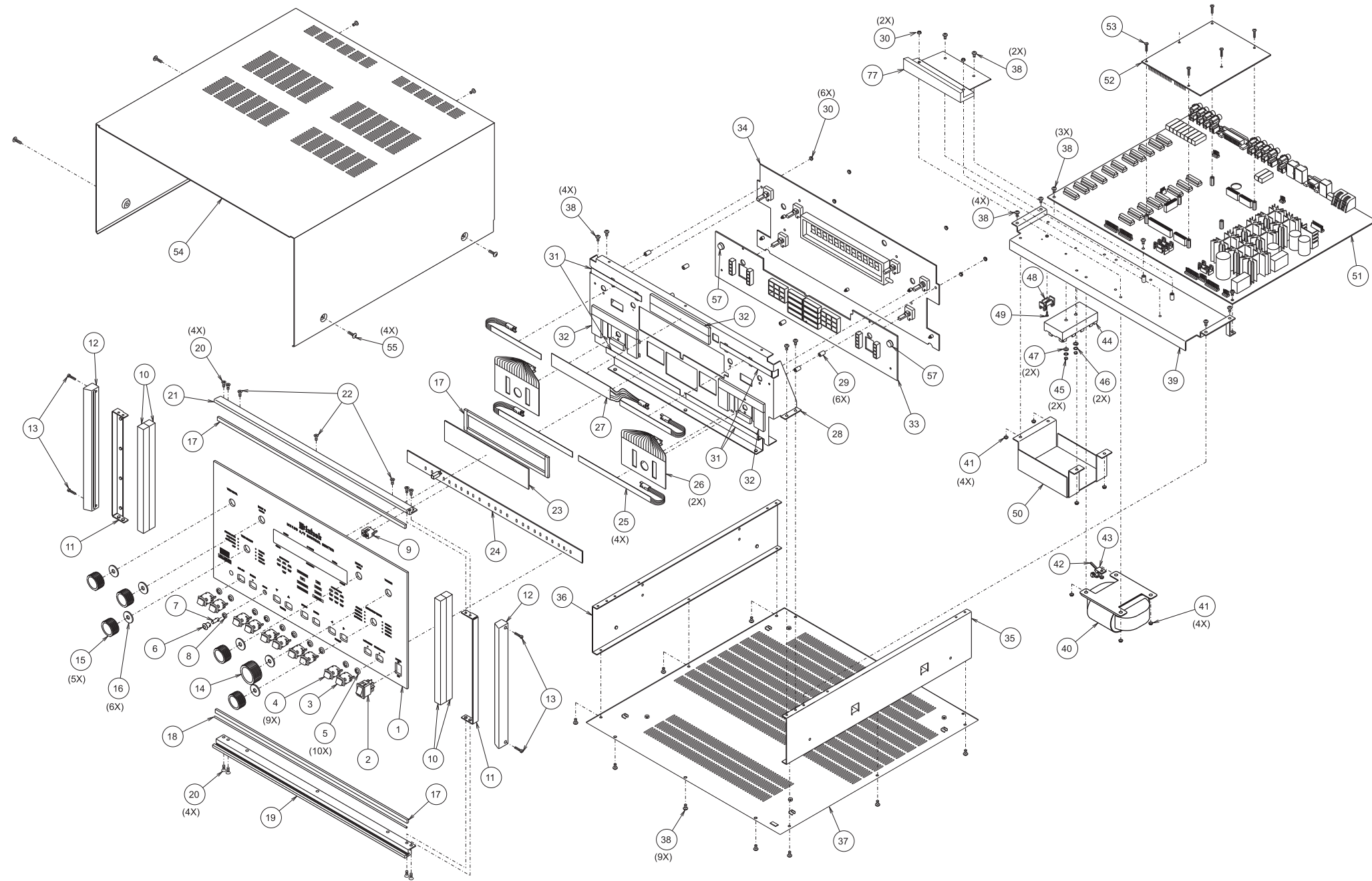
PARTS LIST *Cont'd.*

12 HDMI POWER SUPPLY PCB 750599

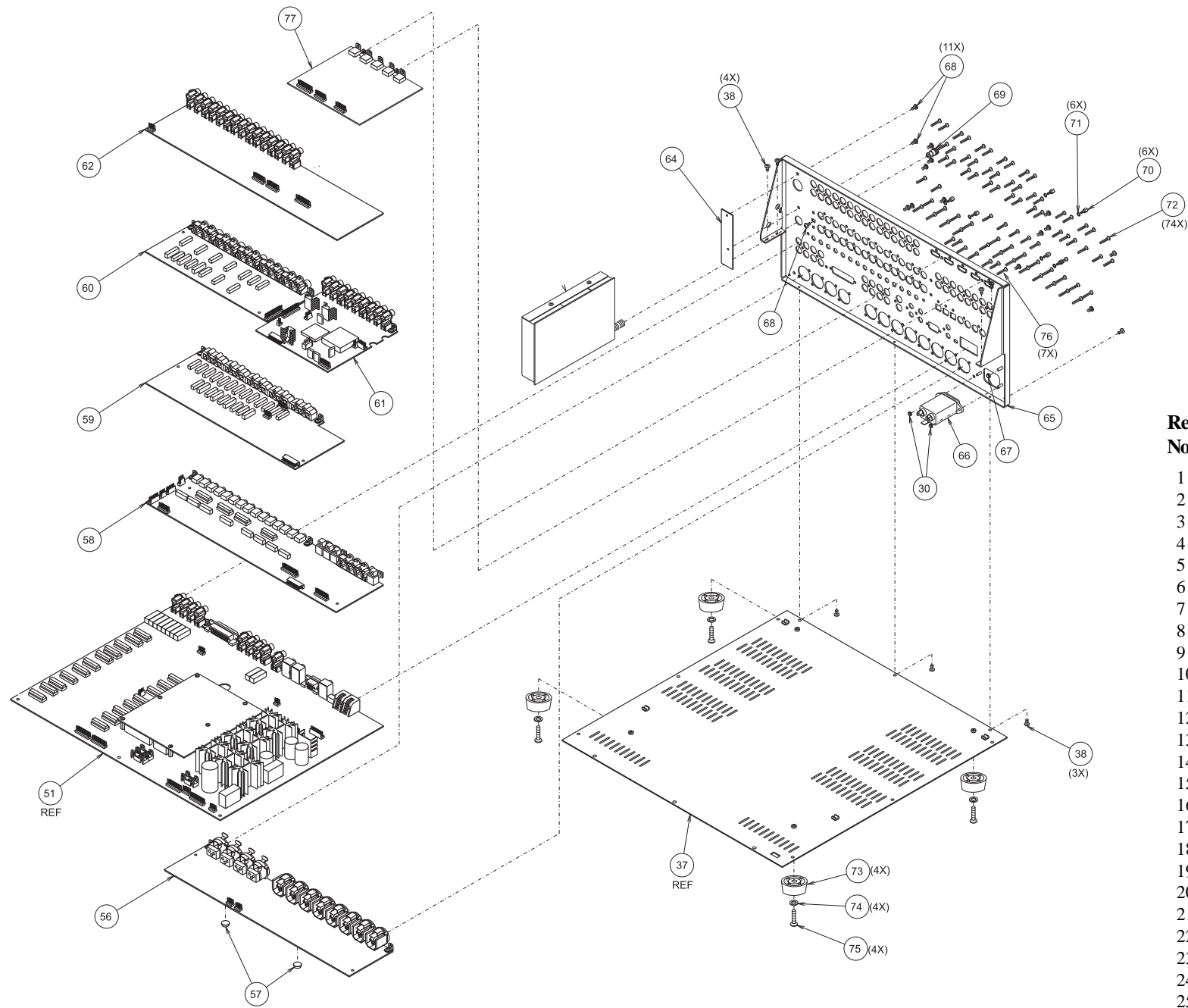
Ref. No.	Description	Part No.
C1	CAP MPF 0.1UF 100V	064338
C2	CAP ELECT 18000UF 16V	066460
C3	CAP MONO .1UF 50V 20% Z5U	061346
C5	CAP MONO .1UF 50V 20% Z5U	061346
C6	CAP ELECT 1000UF 25V	066513
C4	CAP ELECT 100UF 25V	066573
D1	DIODE RECT SI 3A 100V	070176
D2	DIODE RECT SI 3A 100V	070176
D3	DIODE RECT SI 3A 100V	070176

Ref. No.	Description	Part No.
D4	DIODE RECT SI 3A 100V	070176
D5	DIODE SILICON	070174
HS1	SUB HEATSINK	018751
IC1	IC 5V 1.5A REGULATOR LOW DROP	133610
IC2	IC REGULATOR 3.3V LOW DROPOUT	133630
J1	CONN 4 PIN	117215
J2	CONN MALE 5 PIN 0.1 POST ASSY	117216
K1	RELAY POWER TV5 24V	087069
	ISOSTRATE POWER SUPPLY	084208
	PC BD POWER SUPPLY HDMI	129788
	SCR MS 6-32X1/4 SEMS PH PN CLR	400250
	CLIP ANGLE RIGHT	414141

MX136 EXPLODED VIEW



MX136 EXPLODED VIEW and PARTS LIST



Ref No.	Part No.	Description
1	016541	GLASS
2	148073	SWITCH DPDT ROCKER
3	017531	PUSHBUTTON ASSY RED
4	017517	PUSHBUTTON ASSY BLK
5	078033	O-RING
6	017938	PUSHBUTTON BEZEL
7	017852	PUSHBUTTON BLK
8	078032	O-RING
9	017741	RECEPTACLE PUSHBUTTON
10	094360	TAPE FOAM 1/2 X 1/2
11	004939	BRACKET EXTRUSION
12	018615	END CAP 9"
13	401042	SCREW TC 4-40 X 1/2 SLOT FILL
14	250585	ASSY KNOB 34 MTRC W/O INDEX
15	750586	ASSY KNOB 25.5 NO INDEX MTRC
16	104017	WASHER FELT BLK 3/4 X 1/4 X 1/16
17	094016	TAPE FOAM 1/4 X 1/8
18	098113	CORD DIAL .027 BLK BRAID SILK
19	018706	EXTRUSION BOTTOM
20	400149	SCREW MACH 6-32 X 1/4 FL U/H ST
21	018705	EXTRUSION TOP
22	401232	SCREW 6-32 X 1/4 PHIL FLAT
23	017738	PLEXI FILTER
24	750568	ASSY KEYBOARD PCB
25	163027	TITLE/PUSHBUTTON BACKLIGHT
26	017975	SELECTOR BACKLIGHT
27	163026	LOGO PUSHBUTTON BACKLIGHT
28	005379	SUBPANEL
29	112038	SPACER STEEL 4 X 3/8L NCKL PLT
30	402001	NUT KEP 4-40 CLR
31	094489	TAPE FOAM 3/8W X 1/8 THK
32	094430	TAPE FOAM 1/2W X 1/8 THK
33	750569	ASSY LED PCB
34	750565	ASSY DISPLAY PCB
35	005380	PANEL SIDE RIGHT
36	005381	PANEL SIDE LEFT
37	005720	COVER BOTTOM
38	401054	SCREW TAPTITE 6-32 X 1/4 PH PN BLK
39	005738	TRAY
40	159340	TRANSFORMER R-CORE POWER
41	402045	KEP NUT 6-32 SPECIAL
42	017160	TAB MOUNTING .140 DIA MTG
43	017329	CABLE TIE HT5.9
44	074091	TERMINAL BLOCK AC
45	402022	NUT MACH 4-40 X 3/16 X 1/16
46	404004	WASHER LOCK 5 X .255 INT STAR
47	404001	WASHER FLAT STEEL 4 X 9/32 X .025
48	178160	HOLDER FUSE 5 X 20 CHASSIS MOUNT
49	400354	SCREW SEMS 2-65 X 3/16 PHIL PN
50	005422	AC COVER
51	750570	ASSY SURROUND PCB
52	320234	DSP MODULE DAE-5
53	400260	SCREW MACH 4-40 X 1/4 PH PN
54	005722	TOP COVER
55	401078	SCREW TAP 8-32 X 5/16 PH PN BLK
56	750576	ASSY BALANCED PCB
57	017191	BUMPER BUTTON
58	750562	ASSY DATA PCB
59	750564	ASSY S-VIDEO PCB
60	750563	ASSY VIDEO PCB
61	750559	ASSY COMPONENT VIDEO PCB
62	750561	ASSY INPUT PCB
63	049084	TM1 TUNER MODULE (OPTIONAL)
64	005078	REAR PANEL PLUG
65	005710	REAR PANEL
66	117946	RECEPTACLE INPUT & LINE FILTER
67	402003	NUT MACH 6-32 SELF-LOCK
68	400250	SCREW MACH SEMS 6-32 X 1/4 PH PN
69	084112	POST GROUND GOLD
70	112015	STANDOFF
71	104142	WASHER LOCK 2.5mm INT STAR ZINC
72	101197	SCREW HI/LO 4-24 X 3/8 PH RD BLK
73	017937	FOOT PLASTIC BLACK
74	404080	WASHER FLAT #10 CLEAR ZINC
75	400159	SCREW MACH 10-32 X 3/4 PH PN BLK
76	400211	SCR MS M3X 6MM PH PN BLK
77	750623	ASSY HDMI SWITCH PCB
78	750599	ASSY HDMI POWER SUPPLY

REPACKING INSTRUCTION

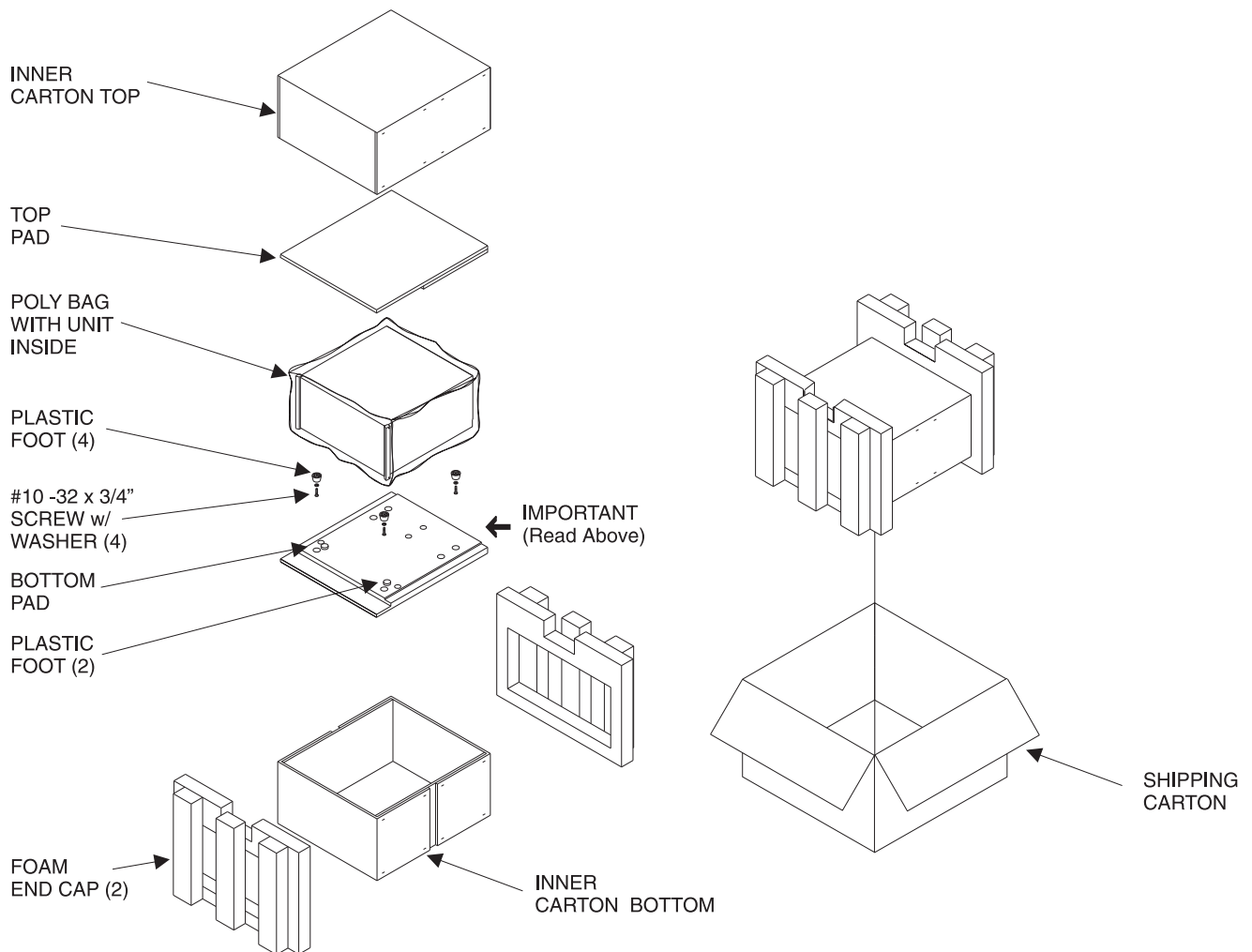
In the event it is necessary to repack the unit for shipment, the unit must be packed exactly as shown below.

IMPORTANT - The four plastic feet must be attached to the bottom of the unit so they will locate in the four holes of the bottom pad.

If a shipping carton or any of the interior parts is needed, please call or write the Customer Service Department of McIntosh Laboratory. Order parts from the accompanying list by part number.

Use the original shipping carton and interior parts only if they are in good serviceable condition.

Qty.	Part No.	Description
1	034198	Inner carton top
1	033725	Top pad
4	017937	Plastic foot (unit)
1	033739	Poly bag
4	400159	#10-32 x 3/4" Machine screw
4	404080	#10 x 7/16" Flat washer
1	034301	Bottom pad
2	034270	Foam end caps
1	034256	Shipping carton
1	034199	Inner carton bottom



MX136

A/V CONTROL CENTER

SERVICE MANUAL

SERIAL NO. XM1001 And Above



The continuous improvement of its products is the policy of McIntosh Laboratory Incorporated, who reserve the right to improve design without notice. Because of the constant upgrading of McIntosh products' circuitry and components, the Company cannot insure, and does not warrant, the accuracy of the within schematic material, which is intended for information only.